



Smart Line

Indirect Fired Water Heater



Technical Specifications Installation and Maintenance Guide

WARNING

- Before proceeding with installation and operation, read entire manual carefully. Failure to do so can cause injury or property damage.

IMPORTANT

- When receiving SMART Water Heaters, any claims for damage or shortage in shipment must be filed immediately against the transportation company by the consignee.
- Warranty Registration Card must be filled out by the customer and mailed within thirty (30) days of installation in order to gain warranty coverage.
- Retain and affix this manual near the water heater for future reference
- Installation and service should only be performed by a qualified installer or service technician.
- Installations and service should be performed by a license plumber or gas fitter in the Commonwealth of Massachusetts.



Table of Contents

Product & Safety Information	1
Pre-Installation	2-3
Installation - Piping	
Temperature & Pressure (T&P) Relief Valve	4-5
Drain Valve	5
Manual Air Vent	5
Thermal Expansion	5
Water Hammer	5
Vacuum Breaker	5
General Piping	6
Domestic Piping	6
Thermostatic Mixing Valve	7
Recirculation Piping	7
Multiple Water Heater Systems	7
Boiler Piping	7
Installation - Piping Drawings	8-14
Installation - Wiring	
Wiring Requirements	15
Circulators	15
Zone Valves	15
Snap-Set Connection	15
Installation - Wiring Drawings	16-19
Water Heater Start-Up	
Filling the Inner (Domestic Water) Tank	20
Filling the Outer (Boiler Water) Tank	20
General Notes	21
Adjusting the Water Heater Thermostat	22
Water Heater Maintenance	
Maintenance Schedule	23
Filling Water Heater	23
Draining Water Heater	23-25
Draining Inner (Domestic Water) Tank	24-25
Draining Outer (Boiler Water) Tank	25
Replacement Parts List	
SMART Series	26-27
Water Heater Specifications	
SMART Series	28
SMART Series Performance	29



Product & Safety Information

Definitions

Following terms are used to bring attention to the presence of various risk levels, or to important information concerning product life.

DANGER

Indicates presence of a hazard which will cause severe personal injury, death or substantial property damage if ignored.

WARNING

Indicates the presence of a hazard which can cause severe personal injury, death or substantial property damage if ignored.

CAUTION

Indicates the presence of a hazard which will or can cause minor personal injury or damage if ignored.

NOTICE

Indicates special instructions on installation, operation, or maintenance which are important but not related to personal injury hazards.

BEST PRACTICE

Indicates recommendations made by Triangle Tube for the installers which will help to ensure optimum operation and longevity of the equipment.

NOTICE

Triangle Tube reserves the right to modify the technical specifications and components of its products without prior notice.

DANGER

Hot Water Can Scald!

- Water temperatures over 125°F can cause severe burns instantly or death from scalding.
- Children, disabled and elderly are at highest risk of being scalded.
- Never leave them unattended in or near shower, bathtub or sink.
- Never allow small children to use a hot water faucet or draw their own bath.
- If anyone using hot water in the building fits the above description or if local codes or state laws require specific water temperatures at hot water faucet, it is recommended:
 - to install a thermostatic mixing valve at this appliance or at each water faucet.
 - or
 - to set the thermostat knob for the lowest temperature which satisfies your hot water needs.
- Water drained from the system drain valves may be extremely hot. To avoid injury:
 - Make sure all connections are tight.
 - Direct water flow away from any person.

CAUTION

Protection must be taken against excessive temperature and pressure!

- Installation of a Temperature & Pressure (T&P) relief valve is required.

CAUTION

To prevent damage to the inner tank, the Installer must:

- Always fill inner tank prior to outer tank and always drain outer tank prior to inner tank.
- Relieve primary system pressure below 15 psig prior to draining inner tank.

Pre-Installation

Codes Compliance

Water heater installation must conform with the instructions in this manual and where applicable:

- local, state, provincial, and national codes, laws, regulations and ordinances.
- in Canada - CAN / CGA B149.1 or B149.2 Installation Code.

SMART water heaters are exempt from ASME Section VIII, Division 1 Code construction per Interpretation VIII-86-136. Check with local codes for applicability.

NOTICE

SMART Series water heaters will absorb less than 200,000 BTU/hr when domestic water outlet temperature is 210°F and boiler water supply temperature is 240°F. Listed outputs are based on ASME Section VIII Interpretation VIII-1-86-136.

Where recommendations in this manual differ from local, or national codes, the local or national codes take precedence.

Codes Restrictions

Single wall heat exchanger in the SMART water heater complies with National Standard Plumbing Code, provided that:

- boiler water (including additives) is practically non-toxic, having toxicity rating or class of 1, as listed in Clinical Toxicology of Commercial Products, and
- boiler water pressure is limited to maximum 30 psig by approved relief valve.

Single wall heat exchangers are permitted under the Uniform Plumbing code - Paragraph L3.2. and L3.3 if they satisfy all of the following requirements.

1. The heat transfer medium is potable water or contains only substances which are recognized as safe by the U.S. Food and Drug Administration.

2. The pressure of the heat transfer medium is maintained less than the normal minimum operating pressure of the potable water system

Exception: Steam complying with section #1 above.

3. The equipment is permanently labeled to indicate that only additives recognized as safe by the FDA shall be used in the heat transfer medium.

Other heat exchanger designs may be permitted where approved by the Administrative Authority.

Operating Restrictions

- Maximum domestic hot water temperature is 194°F for commercial applications and 140°F for residential applications.
- Maximum boiler water temperature is 210°F.
- Maximum working pressure for inner (domestic water) tank is 150 psig.
- Maximum working pressure for outer (boiler water) tank is 45 psig.
- Water quality limitations (based on E.P.A National Secondary Drinking Water Regulations):
 - Chloride, less than 150 ppm or mg/l
 - pH value min. 6, max. 8
 - Total hardness 3 - 7 grains/gallon or 50-120 ppm or mg/l.
 - Total Dissolved Solids (TDS), less than 120 ppm or mg/l.
 - Iron less than 0.3 ppm or mg/l.
 - Aluminum, less than 0.2 ppm or mg/l.
 - Copper, less than 1 ppm or mg/l.
 - Manganese, less than 0.05 ppm or mg/l.
 - Zinc, less than 5 ppm or mg/l.

BEST PRACTICE

In hard water areas (more than 7 grains of hardness) soften the cold domestic supply water to the appliance to prevent scaling.

Pre-Installation

NOTICE

Any water conditioning system must be installed and maintained in accordance with manufacturer's specifications.

NOTICE

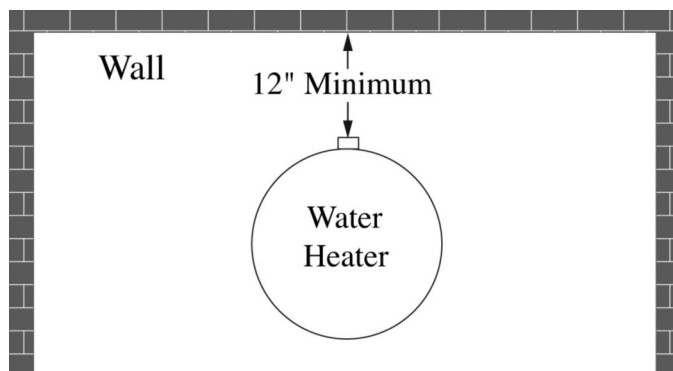
Do not install the water heater on any application if the boiler piping contains non-oxygen barrier tubing or if the boiler piping is considered an "open system". Exposing the outer tank of the water heater to oxygen contamination will lead to premature tank failure and denial of the warranty.

Locating Water Heater

- This water heater is not intended for outdoor installations.
- Keep distance between boiler and water heater to a minimum to:
 - reduce piping heat loss
 - provide minimal friction loss
- Locate water heater so that any leakage from the tank or water connections will not cause damage to the area adjoining the water heater or to lower floors in the structure.
 - When such a location is unavoidable, a suitable drain pan with adequate drainage, should be placed under the water heater.
- The SMART Series Water Heaters are designed for vertical installation only.

Recommended Clearances

- Water heater should be installed to allow adequate clearance for servicing.
- Zero clearance is permissible to any side of the SMART Series water heater, but information labels may be hidden.
- Recommended top or vertical clearance is 12" minimum.
- Refer to boiler manual for boiler clearances.



SMART Tank- Top View

Installation - Piping

Temperature & Pressure (T&P) Relief Valve



To reduce risk of excessive pressures and temperatures in the water heater, install temperature and pressure protective equipment required by local codes, but no less than a combination temperature and pressure relief valve certified by a nationally recognized testing laboratory that maintains periodic inspection of production of listed equipment or materials, as meeting the requirements for Relief Valves and Automatic Gas Shutoff Devices for Hot Water Supply Systems, ANSI Z21.22. This valve must be marked with a maximum working pressure of the water heater.

- Every SMART water heater must be protected with a T&P relief valve.
- Determine T&P relief valve size by the following specifications, unless they conflict with local codes:
 - SMART 30/40/50: 3/4" NPT with an AGA Rating of 100,000 BTU/hr and a maximum pressure rating of 150 psig. (Watts 100XL-8 or equivalent).
 - SMART 60/80/100/120: 3/4" NPT with an AGA Rating of 200,000 BTU/hr and a maximum pressure rating of 150 psig. (Watts 40XL-8 or equivalent).

NOTICE

For proper operation of the T&P and to prevent the T&P from activating due to boiler water temperature, use a T&P relief valve with extended element. We recommended an 8" minimum length to ensure element senses domestic water.

Standard Installation

- Install T&P relief valve in the **Auxiliary** connection located behind the air vent on the top of the water heater (Figure 1 page 8).
- or
- Install the T&P relief valve in the run (straight through leg) of a tee located at the domestic hot water outlet when using the **Auxiliary** connection for a recirculation return (Figure 2 page 8).

Commonwealth of Massachusetts Installation

Follow this procedure for jurisdictions requiring a vacuum breaker to be installed on the domestic cold water inlet.

- Install the T&P in the run (straight through leg) of a tee located at the domestic hot water outlet. Use a long element T&P relief valve (Fig. 5 page 10).

T&P Relief Valve Discharge Piping

T&P relief valve discharge piping must be:

- made of material serviceable for temperatures of 250°F or greater.
- directed so that hot water flows away from all persons.
- directed to a suitable place for disposal.
- installed so as to allow complete draining of the T&P relief valve and discharge line.

T&P relief valve discharge piping **must not** be:

- excessively long. Using more than 2 elbows or 15 feet of piping can reduce discharge capacity.
- directly connected to a drain. Terminate discharge piping within 6" from drain. Refer to local codes.
- plugged, reduced or restricted.
- subject to freezing.

Installation - Piping

WARNING

Do not install any valve between T&P relief valve and tank connection or on T&P relief valve discharge piping. Do not plug T&P relief valve or discharge piping. Improper placement and piping of T&P relief valve can cause severe personal injury, death or substantial property damage.

Drain Valve

Drain valve and fittings are supplied by others.

Standard Installation

- Install a tee connection at the domestic cold water inlet (Fig. 1 and 2 page 8 and Fig. 3 on page 9).
- Pipe the drain piping with drain valve from the tee connection to:
 - a suitable place for disposal
 - or
 - terminate within 12" of the floor

Commonwealth of Massachusetts Installation

- Thread a 3/4" close nipple onto the Auxiliary connection and insert an open-end dip tube into the Auxiliary connection on top of water heater. As shown in Fig. 4 page 10.
- Install a 3/4" NPT elbow to the Auxiliary connection, see Fig. 5 page 10.
- Pipe the drain piping with drain valve from the elbow connection to:
 - a suitable place for disposal
 - or
 - terminate within 12" of the floor

Manual Air Vent

1. A manual air vent is factory installed.
2. Open manual air vent. Once the tank is full and air has stopped escaping, close the manual air vent.

Thermal Expansion

If a backflow preventer, check valve or pressure reducing valve is piped on cold water supply piping of water heater, install an expansion tank on cold water supply line to prevent normal thermal expansion from repeatedly forcing open T&P relief valve.

CAUTION

T&P relief valve is not intended for constant duty, such as relief of pressure due to repeated normal system expansion. Correct this condition by installing a properly sized expansion tank in domestic water system. Refer to expansion tank manufacturer's installation instructions for proper sizing.

Water Hammer

Dishwashers, clothes washers and fast-closing positive shut-off valves incorporated in the system all contribute to creating water shock. Install a water hammer arrester to prevent damage to pipes and appliances. See device manufacturer's instructions for application and installation.

NOTICE

Water hammering within the domestic piping system can cause premature failure of the inner tank of the water heater. This type of failure is *NOT* covered under warranty.

Vacuum Breaker

Installing a vacuum breaker Watts N36-M1 or equivalent on the domestic cold water inlet will prevent damage to the inner tank if a negative pressure is developed in the domestic supply line. See manufacturer's instructions for application and installation of the vacuum breaker.

Installation - Piping

General Piping

- For domestic water piping diagrams, see pages 8 through 10.
- See pages 11 through 14 for:
 - Boiler water piping.
 - Multiple water heater domestic and boiler piping.
- See Chart 1 for domestic and boiler piping connection sizes .
- All plumbing must meet or exceed all local, state and national plumbing codes.
- The supplied sealant is suitable for potable water systems. Use only the supplied sealant on all Smart fittings/joints.
- Use isolation valves to isolate system components.

Domestic Piping

- Union on domestic hot water outlet should be piped at a higher elevation than domestic water drain valve. This will make draining the water heater easier.
- Install unions for easy removal of water heater. It is recommended to use dielectric unions or couplings to protect hot and cold water fittings from corrosion when connecting dissimilar materials such as copper and galvanized iron pipe.

- If copper pipe is used for domestic water connections, first solder pipe to a threaded adapter and then screw adapter into cold water inlet on top of water heater. Inlet contains an internal plastic dip tube which can be damaged by heat from soldering.

NOTICE

Do not apply heat to the cold water inlet when making sweat connections to water heater. Sweat tubing to adapter before fitting adapter to cold water inlet of heater. It is imperative that no heat be applied to the cold water inlet, as it contains a non metallic dip tube.

- When the water supply pressure is higher than 70 psig, it is recommended to install a pressure reducing valve on cold water supply line to prevent water loss through T&P relief valve.
- If water heater will replace tankless coil in boiler, disconnect piping to coil. Allow water to drain from coil. Do not plug tankless coil.

DANGER

Plugging tankless coil inlet and outlet will result in severe personal injury, death, or substantial property damage.

Chart 1

Water Heater Model	Connections (Inches)			Recirculation Dip Tube		Draining Dip Tube		Recommended Minimum Boiler Piping Diameter (Inches)
	Domestic Water Inlet/Outlet	Boiler Water Supply/Return	Auxiliary Connection	Length (Inches)	Diameter (Inches)	Length (Inches)	Diameter (Inches)	
SMART 30	3/4 NPT	1 NPSC	3/4 NPSC	34	3/4	34	3/4	1
SMART 40	3/4 NPT	1 NPSC	3/4 NPSC	43	3/4	43	3/4	1
SMART 50	3/4 NPT	1 1/4 NPSC	3/4 NPSC	25	3/4	52	3/4	1
SMART 60	3/4 NPT	1 1/4 NPSC	3/4 NPSC	34	3/4	62	3/4	1 1/4
SMART 80	1 1/2 NPT	1 1/2 NPSC	1 1/2 NPSC	25	1 1/2	48	1 1/2	1 1/4
SMART 100	1 1/2 NPT	1 1/2 NPSC	1 1/2 NPSC	32	1 1/2	61	1 1/2	1 1/2
SMART 120	1 1/2 NPT	2 NPSC	1 1/2 NPSC	32	1 1/2	61	1 1/2	1 1/2



Installation - Piping

Thermostatic Mixing Valve

- It is recommended to install an optional mixing valve on the domestic hot water outlet.
- Mixing valve should comply with ASSE 1017

Recirculation Piping

- T&P relief valve must be installed in run (straight through leg) of tee located at domestic hot water outlet of water heater.
- It is recommended that the recirculation dip tube be installed in auxiliary connection using a close nipple assembly as shown Fig. 3, page 9. See Chart 1 page 6 for diameter and length of dip tube.
- A stainless steel or bronze circulator is required on potable water systems.
- Install automatic mixing valve either at the hot water outlet of water heater or each hot water faucet.

Multiple Water Heater Systems

- Parallel Pipe Recirculation Systems - Manifold recirculation return to all water heaters.
- Series Piped Systems - Piped return to the leading (cold water inlet) water heater.
- Install automatic mixing valve either at the hot water outlet of water heater or each hot water faucet.



Failure to install automatic mixing valve where recommended will result in severe personal injury or death.

Boiler Piping

- If plastic pipe is used for boiler water piping, it must have a maximum oxygen diffusion rate of 0.1 mg/liter-day for boiler and water heater protection.

NOTICE

The Smart IDWH must be installed on a closed type hydronic system. Failure to provide such a system will result in premature failure of the outer tank and annulment of warranty.

- Boiler water (including additives) must be practically non-toxic, having toxicity rating or class of 1, as listed in Clinical Toxicology of Commercial Products.

If antifreeze is used in boiler system, local codes may require a backflow preventer on cold water supply line. Use antifreeze specifically intended for hydronic heating systems. Inhibited propylene glycol is recommended at a maximum 50/50 mixture.



Do not use automotive, ethylene glycol or petroleum-based antifreeze. Do not use any undiluted antifreeze. This can cause severe personal injury, death or substantial property damage.



Installation - Piping

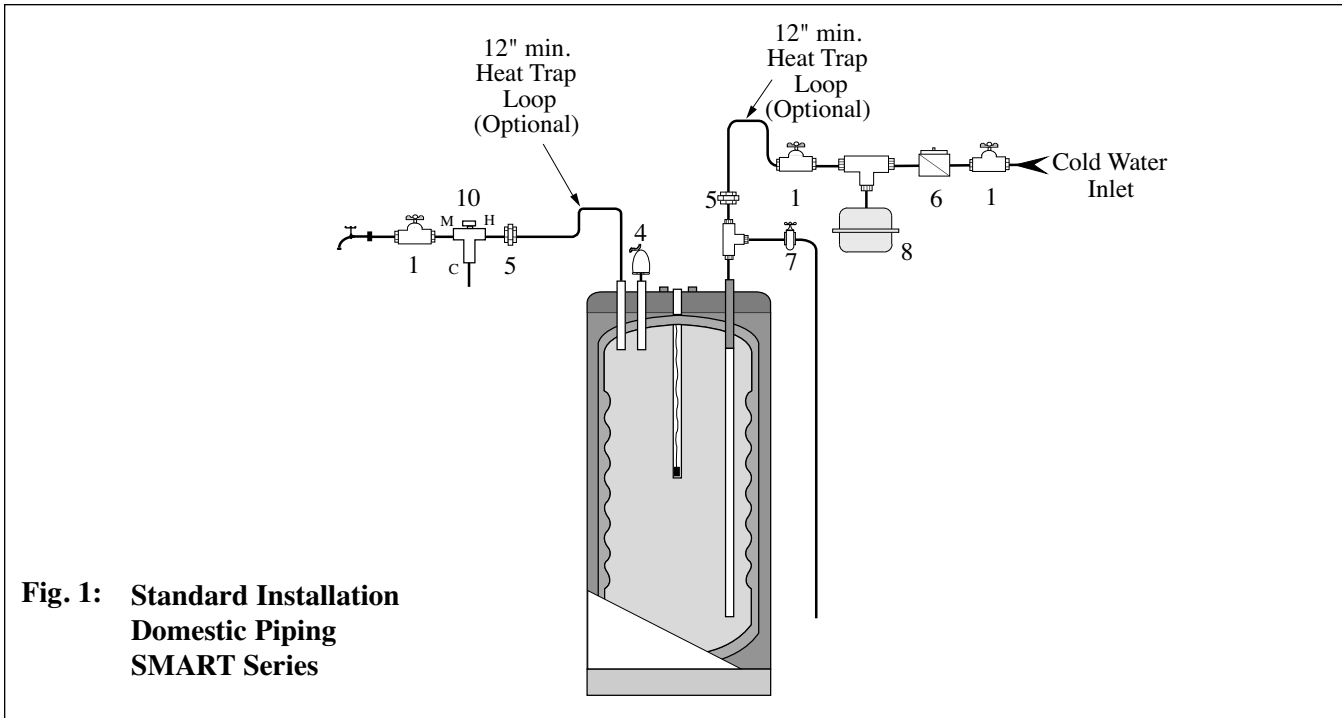


Fig. 1: Standard Installation Domestic Piping SMART Series

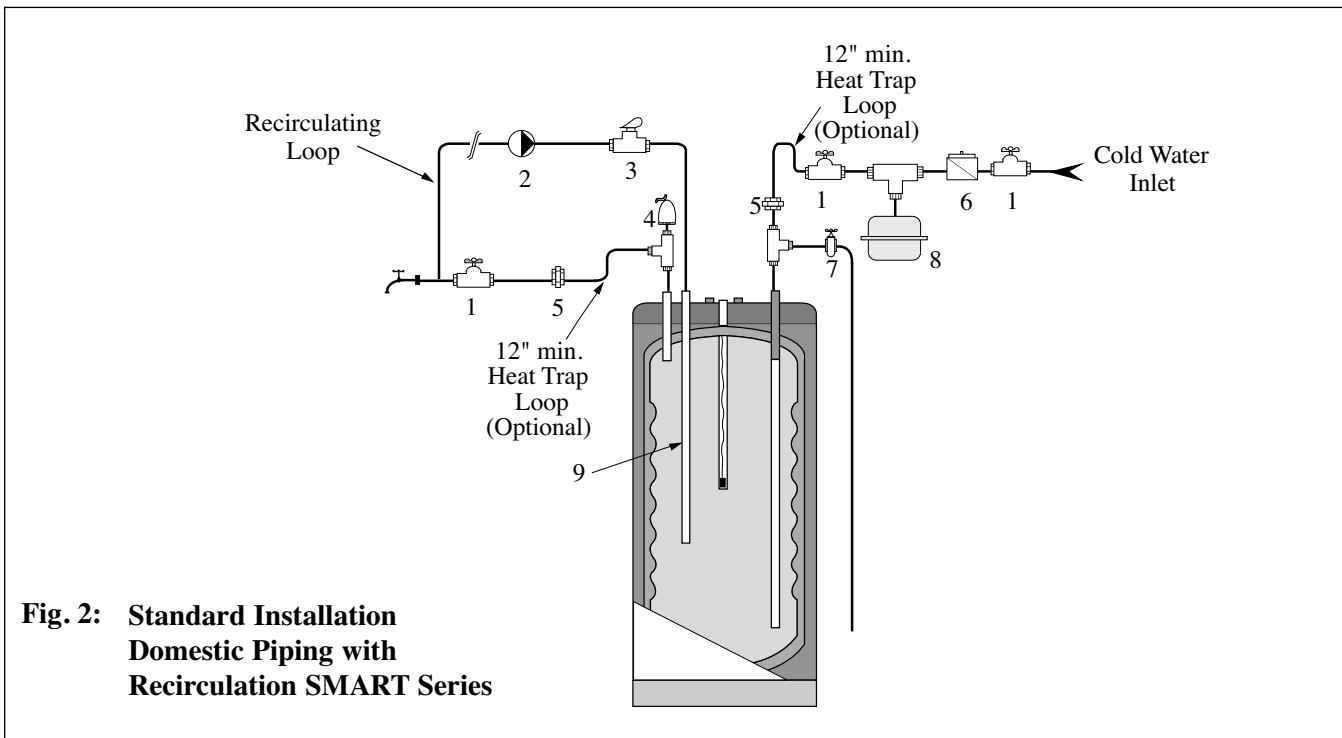
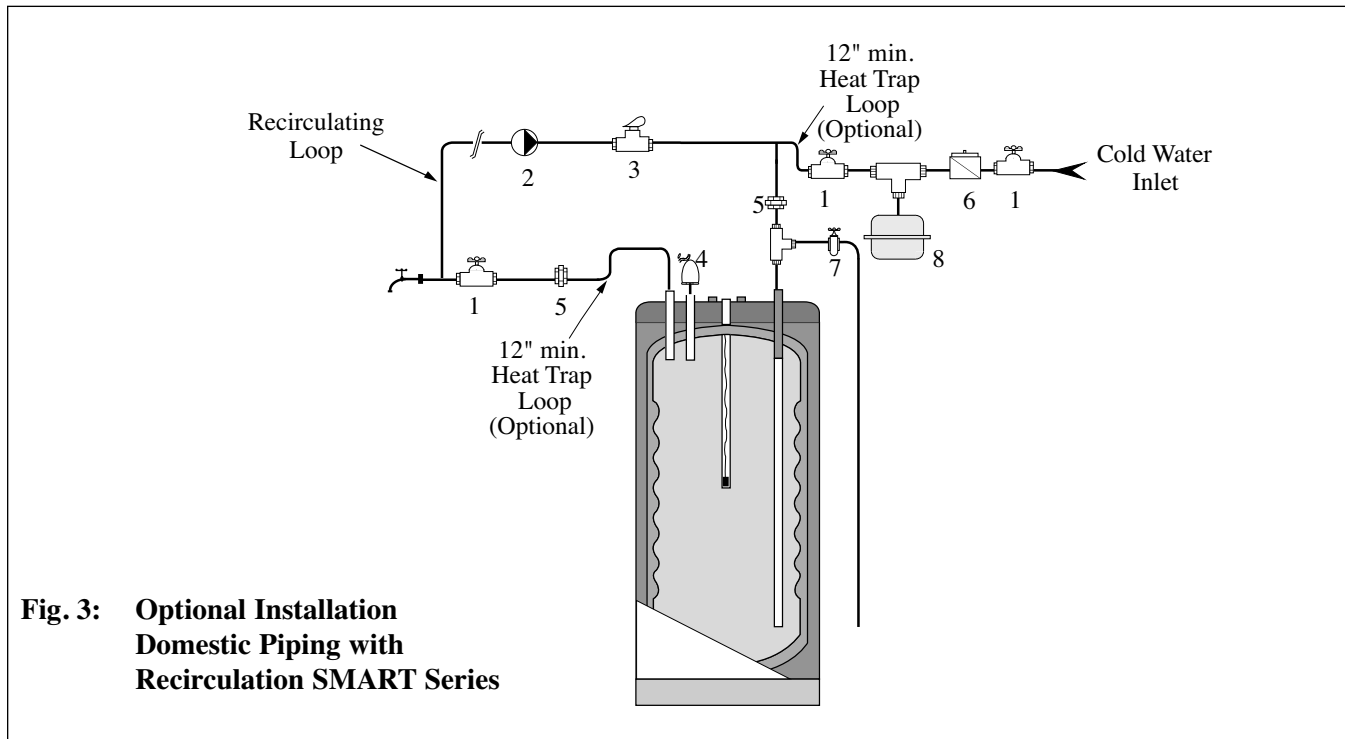


Fig. 2: Standard Installation Domestic Piping with Recirculation SMART Series

- 1. Shut-off valve
- 2. Recirculation Circulator
- 3. Flow Check Valve
- 4. T&P relief valve
- 5. Unions
- 6. Backflow preventer or pressure reducing valve(*)

- 7. Drain valve
 - 8. Thermal expansion tank (potable)
 - 9. Recirculation dip tube
 - 10. Thermostatic mixing valve (*)
- (*) Optional devices may be required by local codes.

Installation - Piping



- | | |
|---|--|
| <ul style="list-style-type: none"> 1. Shut-off valve 2. Recirculation Circulator 3. Flow Check Valve 4. T&P relief valve 5. Unions | <ul style="list-style-type: none"> 6. Backflow preventer or pressure reducing valve(*) 7. Drain valve 8. Thermal expansion tank (potable) <p>(*) Optional devices may be required by local codes.</p> |
|---|--|

Installation - Piping

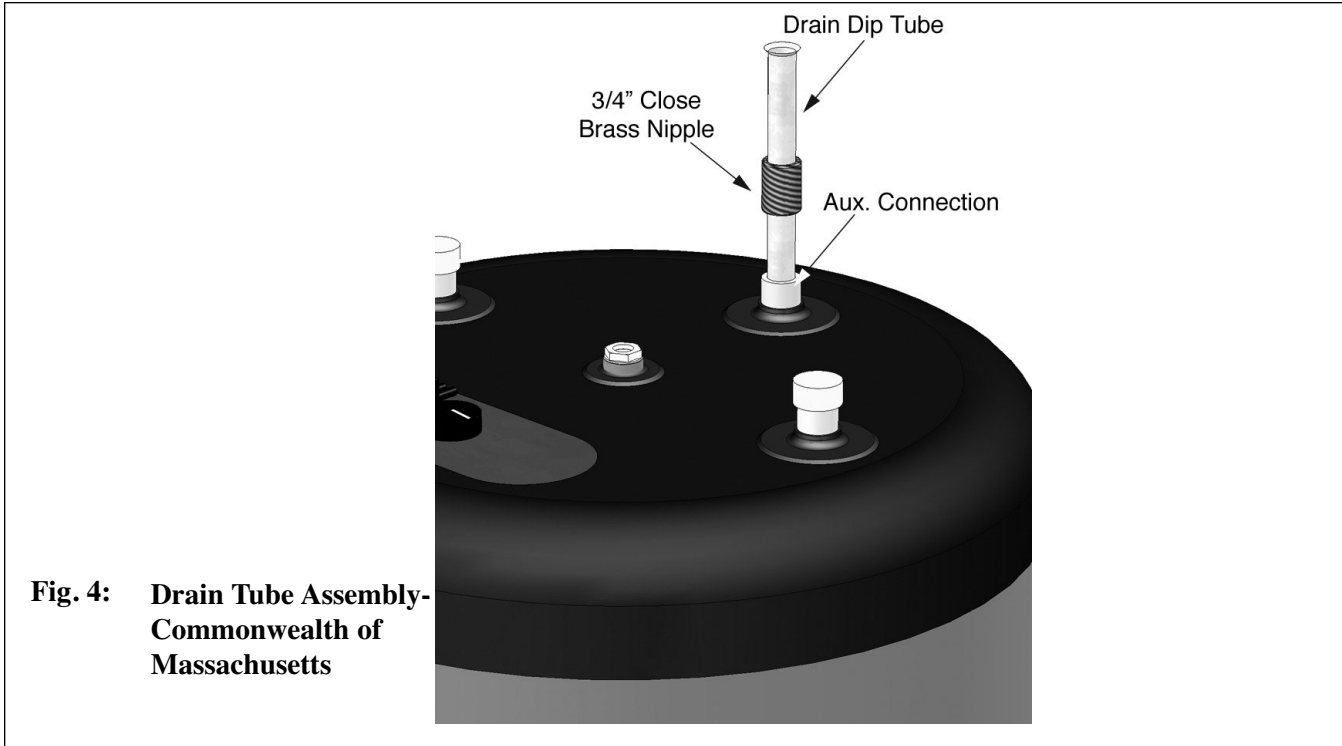


Fig. 4: Drain Tube Assembly-Commonwealth of Massachusetts

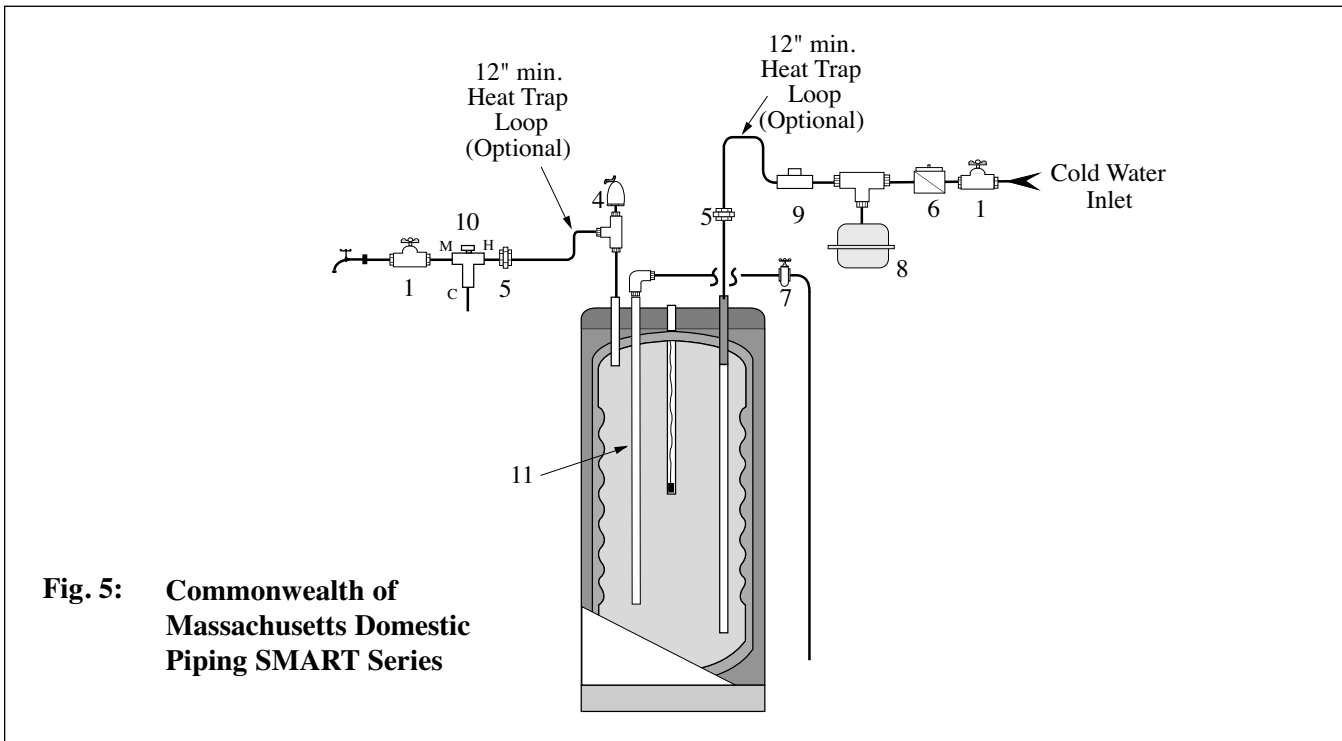
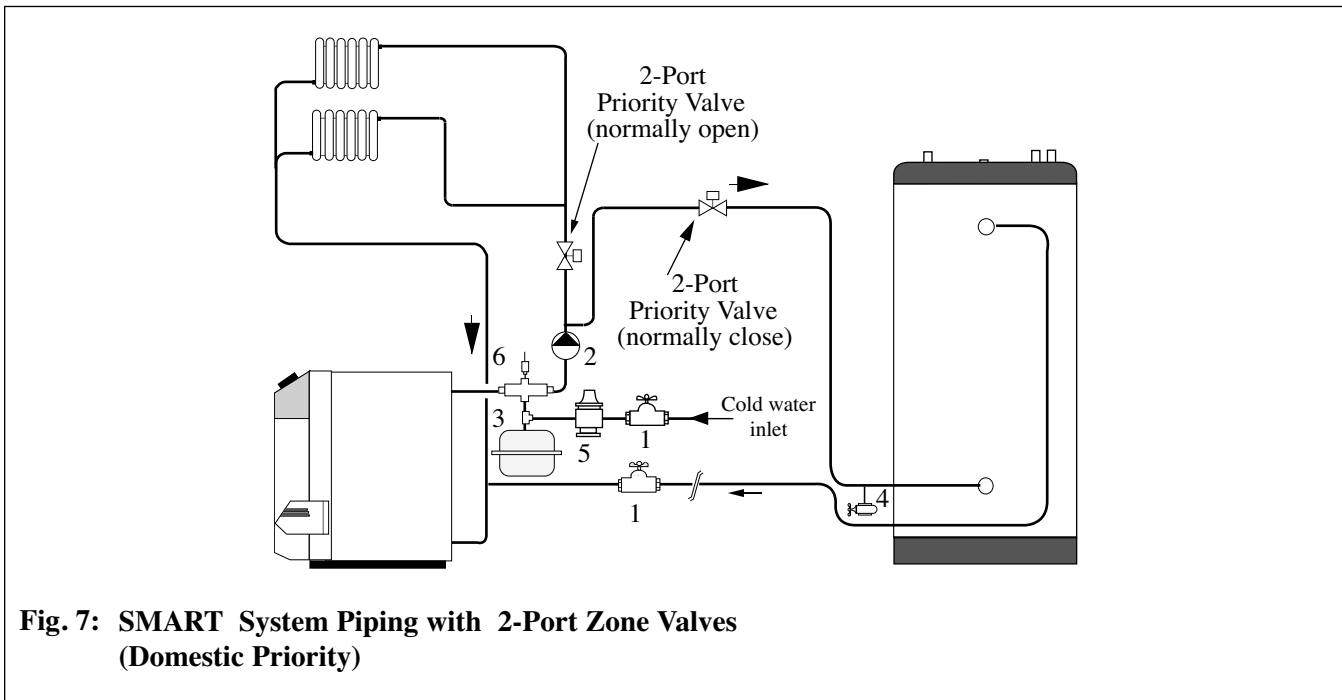
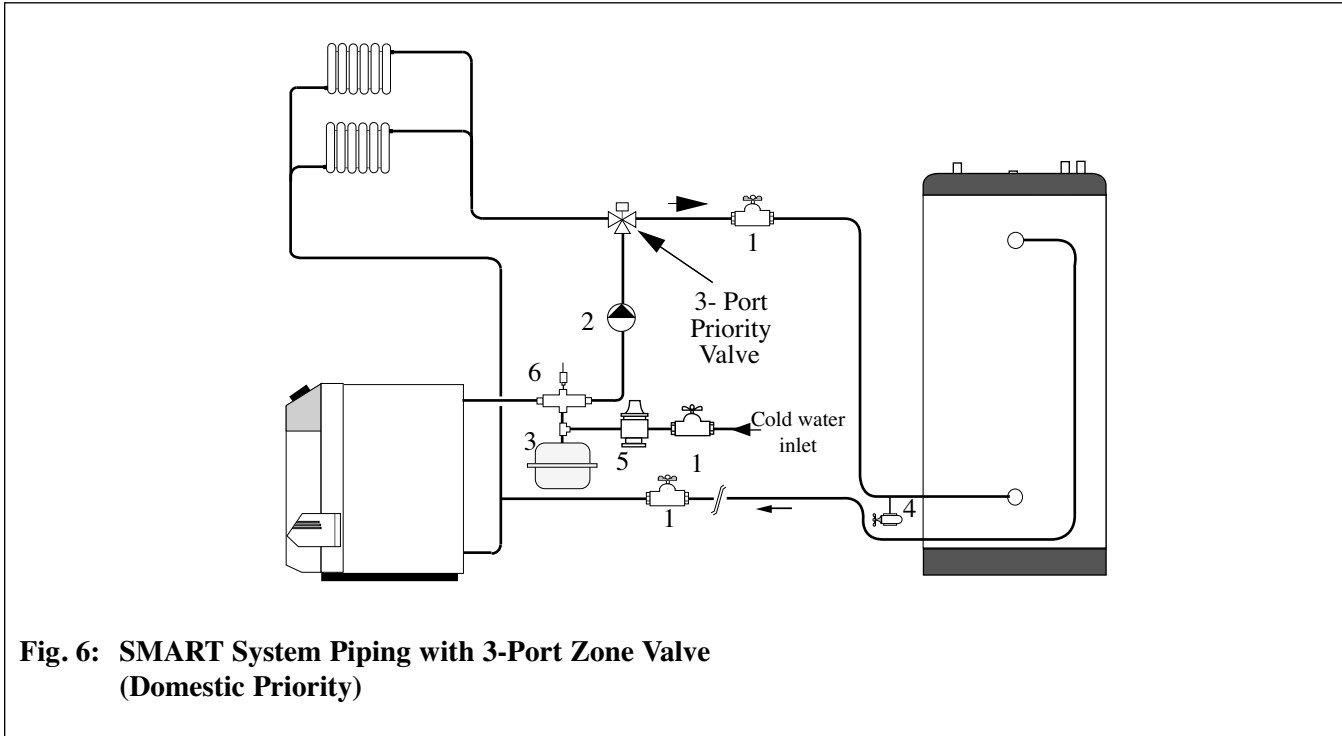


Fig. 5: Commonwealth of Massachusetts Domestic Piping SMART Series

- | | |
|--|--|
| 1. Shut-off valves | 8. Thermal expansion tank (potable) |
| 4. T&P relief valve | 9. Vacuum breaker |
| 5. Unions | 10. Mixing valve (*) |
| 6. Backflow preventer or pressure reducing valve (*) | 11. Dip tube - Draining per Chart 1 |
| 7. Drain valve | (*) Optional devices may be required by local codes. |



Installation -Piping

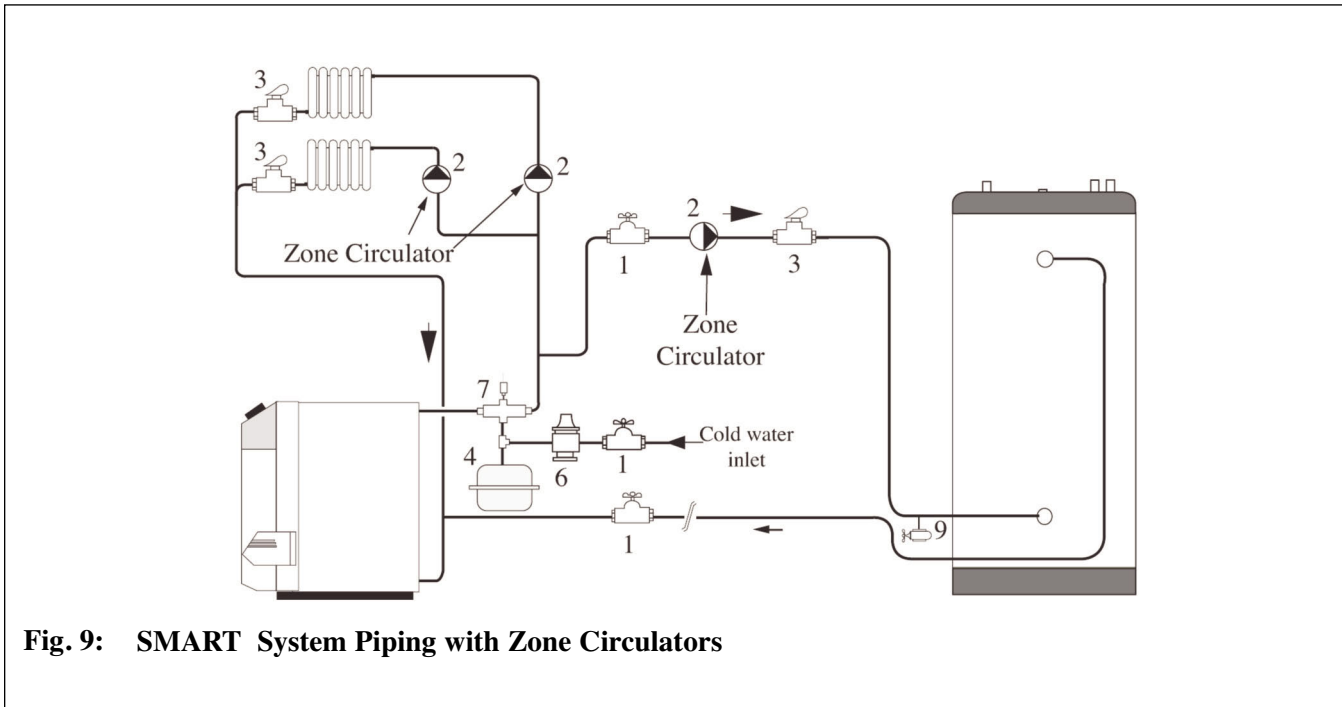
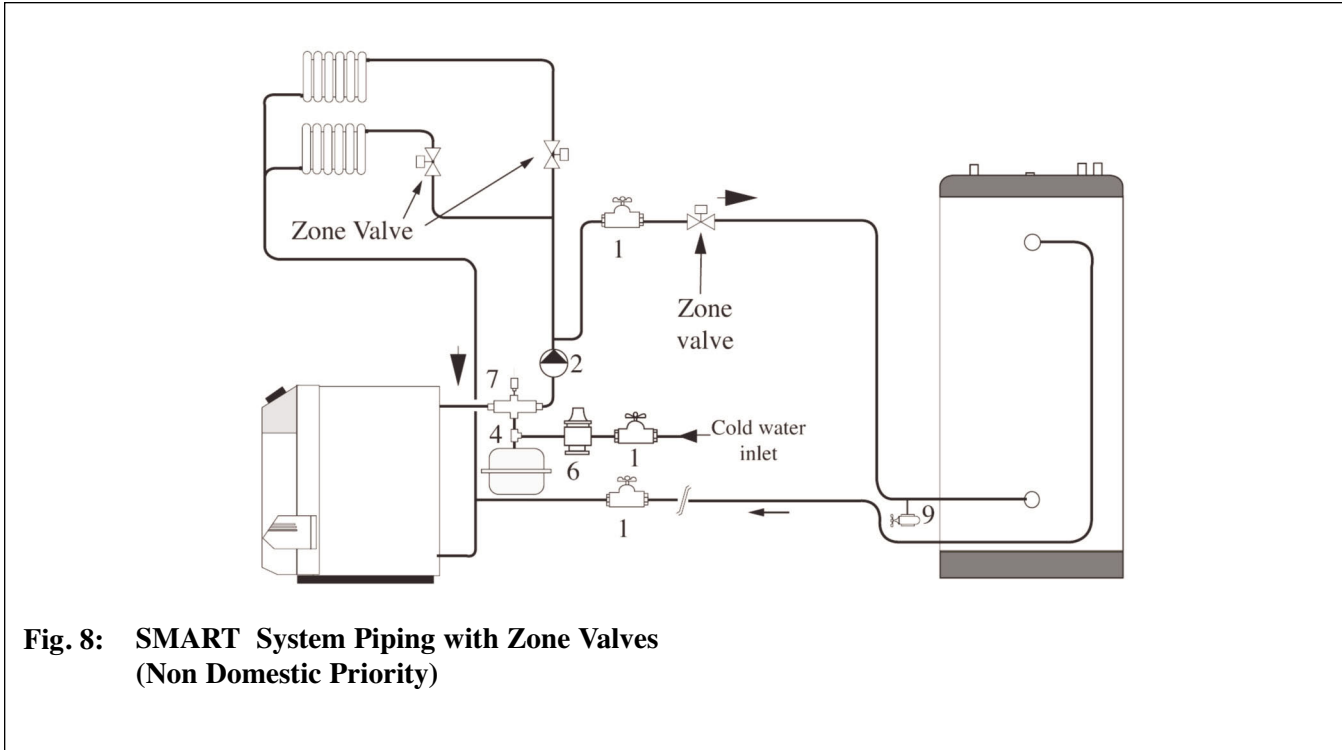


- | | |
|--------------------|------------------|
| 1. Shut-off valves | 4. Drain valve |
| 2. Circulator | 5. Feed valve |
| 3. Expansion tank | 6. Air separator |





Installation - Piping

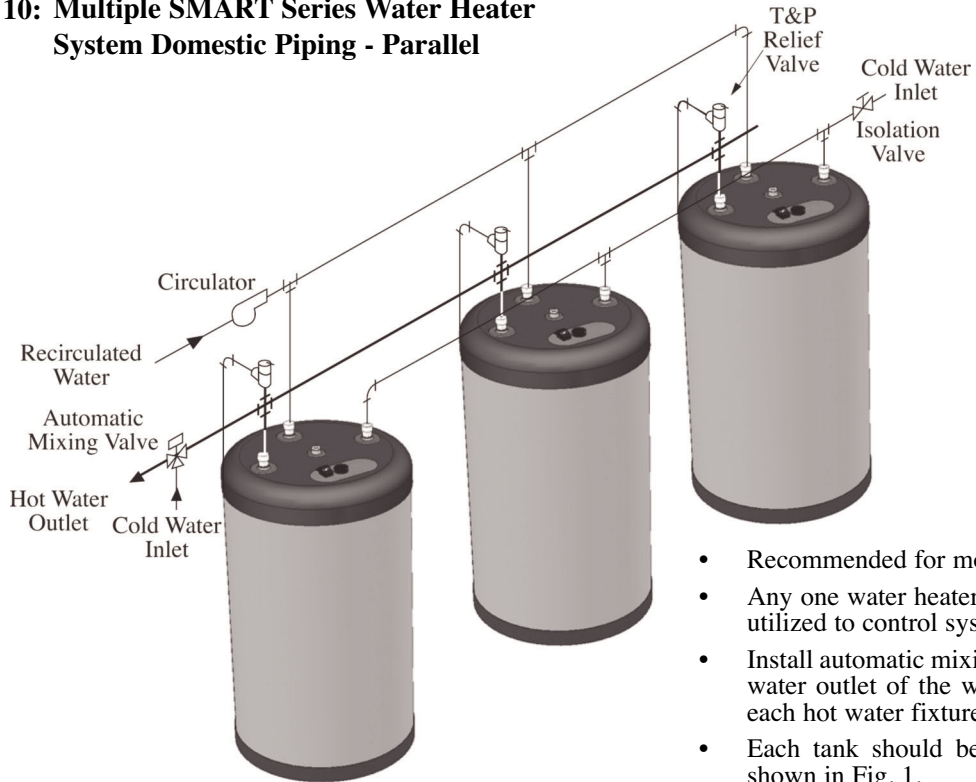


- | | |
|---------------------|------------------|
| 1. Shut-off valves | 5. Drain valve |
| 2. Circulator | 6. Feed valve |
| 3. Flow check valve | 7. Air separator |
| 4. Expansion tank | |



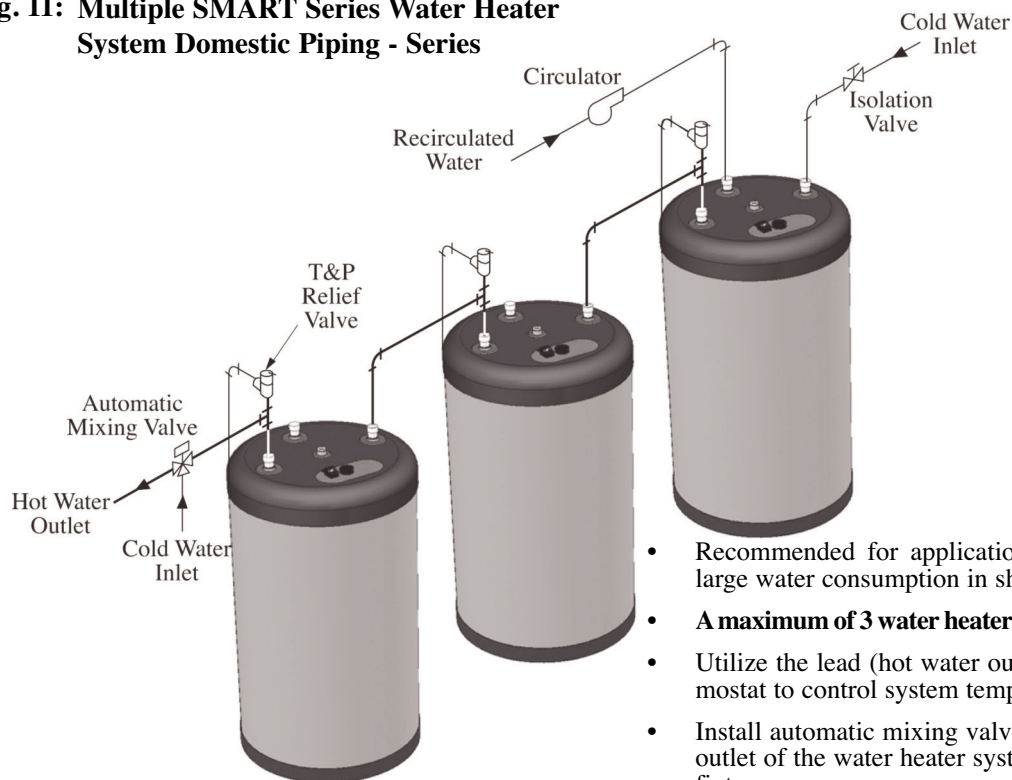
Installation - Piping

Fig. 10: Multiple SMART Series Water Heater System Domestic Piping - Parallel



- Recommended for most applications.
- Any one water heater tank thermostat may be utilized to control system temperature.
- Install automatic mixing valve at either the hot water outlet of the water heater system or at each hot water fixture.
- Each tank should be piped with a drain as shown in Fig. 1.

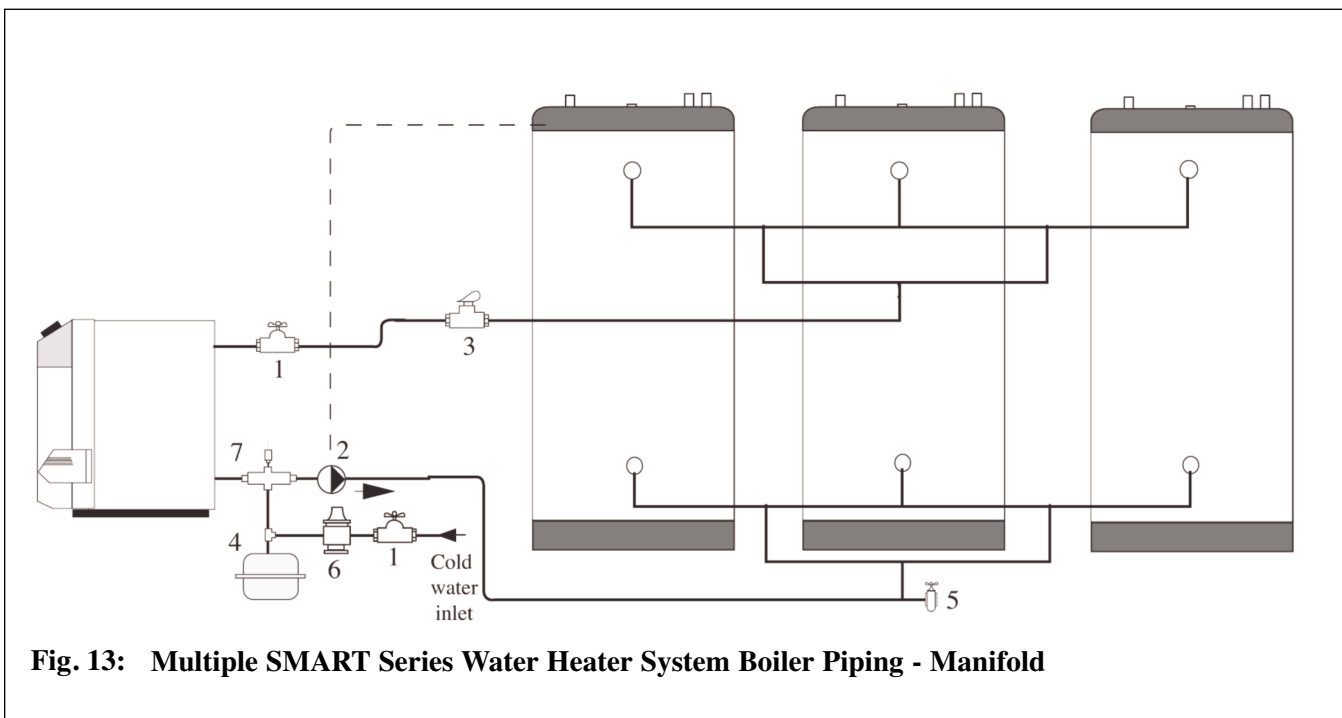
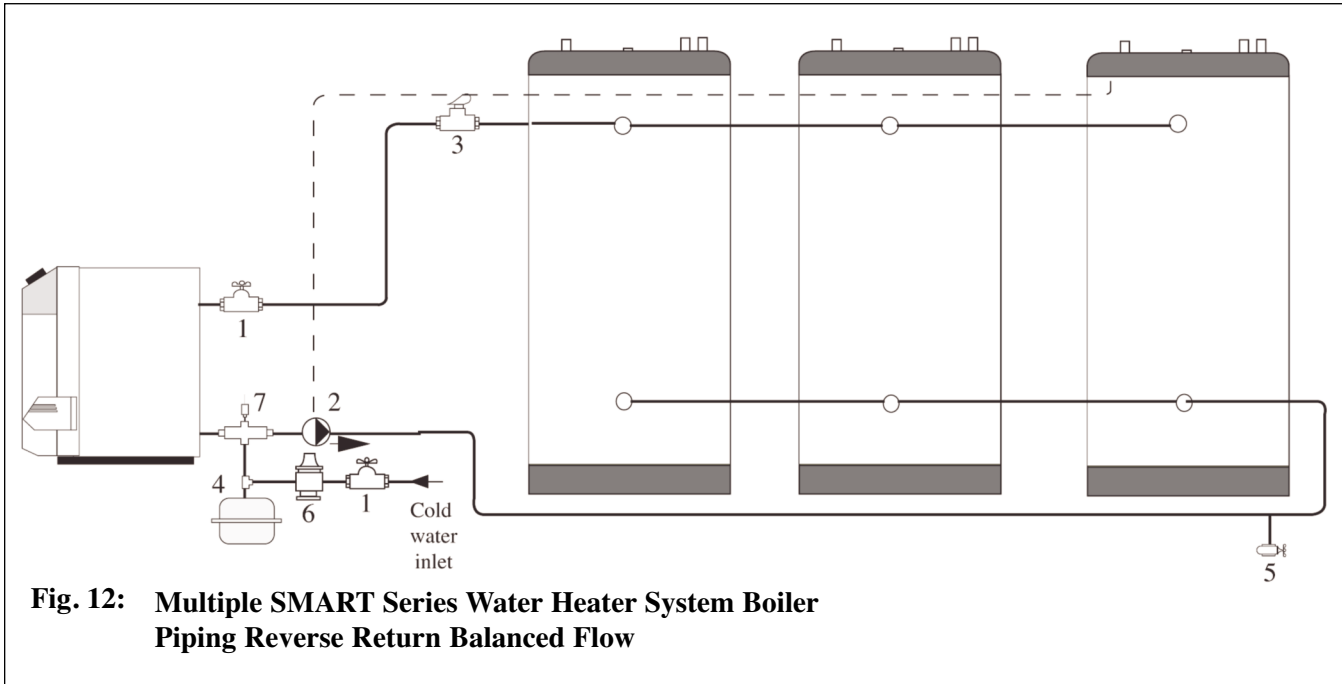
Fig. 11: Multiple SMART Series Water Heater System Domestic Piping - Series



- Recommended for applications in which there is a large water consumption in short period of time.
- **A maximum of 3 water heaters may be piped in series.**
- Utilize the lead (hot water outlet) SMART tank thermostat to control system temperature.
- Install automatic mixing valve at either the hot water outlet of the water heater system or at each hot water fixture.
- Each tank should be piped with a drain as shown in Fig. 1.



Installation - Piping



- | | |
|---------------------|------------------|
| 1. Shut-off valves | 5. Drain valve |
| 2. Circulator | 6. Feed valve |
| 3. Flow check valve | 7. Air separator |
| 4. Expansion tank | |



Installation - Wiring

Wiring Requirements

⚠ WARNING

Electrical shock hazard can cause severe personal injury, death or substantial property damage. Disconnect power before installing and/or servicing.

1. All wiring must be a minimum of 18 gauge and installed in accordance with:
 - U.S.A. - National Electrical Code and any other national, state or local code requirements having jurisdiction.
 - Canada - C.S.A. C22.1 Canadian Electrical Code Part 1 and any other national, provincial and local code requirements having jurisdiction.
2. If original wire supplied with appliance must be replaced, Type 90°C or its equivalent must be used.
3. Refer to control component instructions packed with boiler for application information.
4. An optional service switch may be installed in water heater electrical circuit. This switch would only shut off the water heater, not the home heating system. Do not shut off water heater if there is a chance of freezing.
5. All electrical contacts shown do not have power applied - off the shelf condition. See pages 15 thru 19.

Circulators

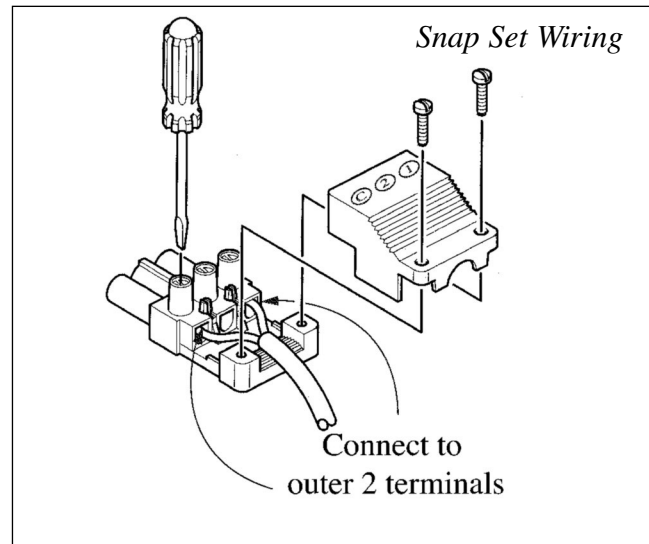
- Priority relay must be sized for total amp draw of all circulators.

Zone Valves

- Transformer must be sized for maximum load of all zone valves.

Snap Set Connection

- For easy wiring between water heater thermostat and boiler controls see Installation Wiring section pages 15 through 19.
- Make sure snap set is firmly snapped together after wiring.



Installation - Wiring

Fig. 14: Typical 4-wire Zone Valve Zoning, with Domestic Priority

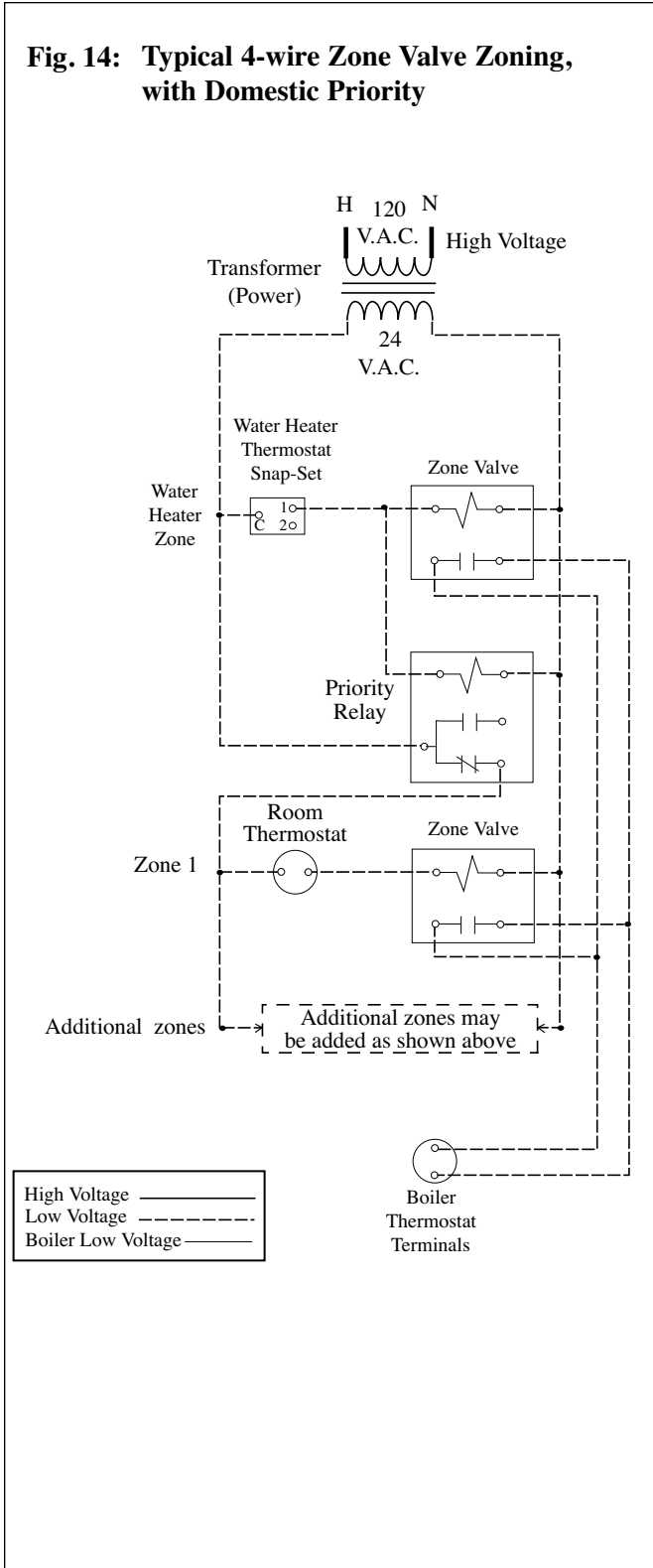
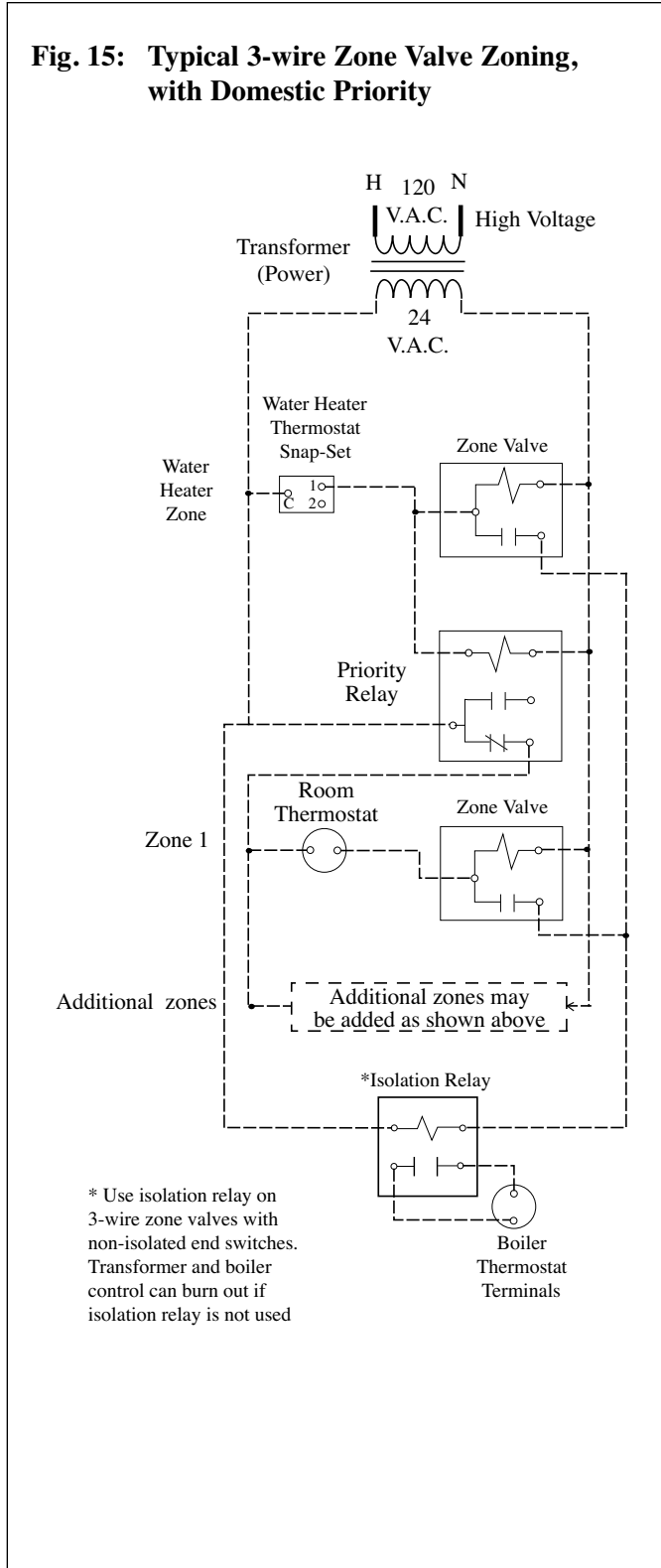


Fig. 15: Typical 3-wire Zone Valve Zoning, with Domestic Priority



Installation - Wiring

Fig. 16: Typical 4-wire Zone Valve Zoning, without Domestic Priority

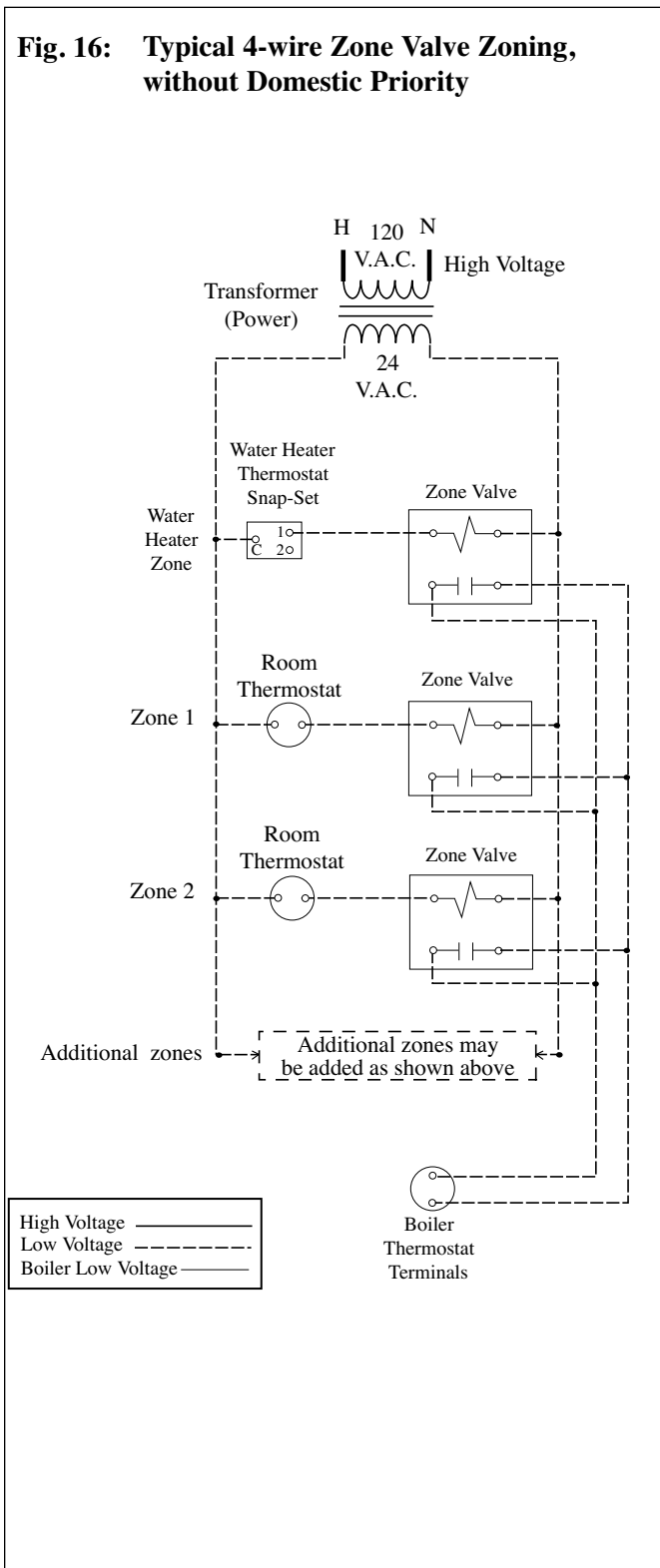
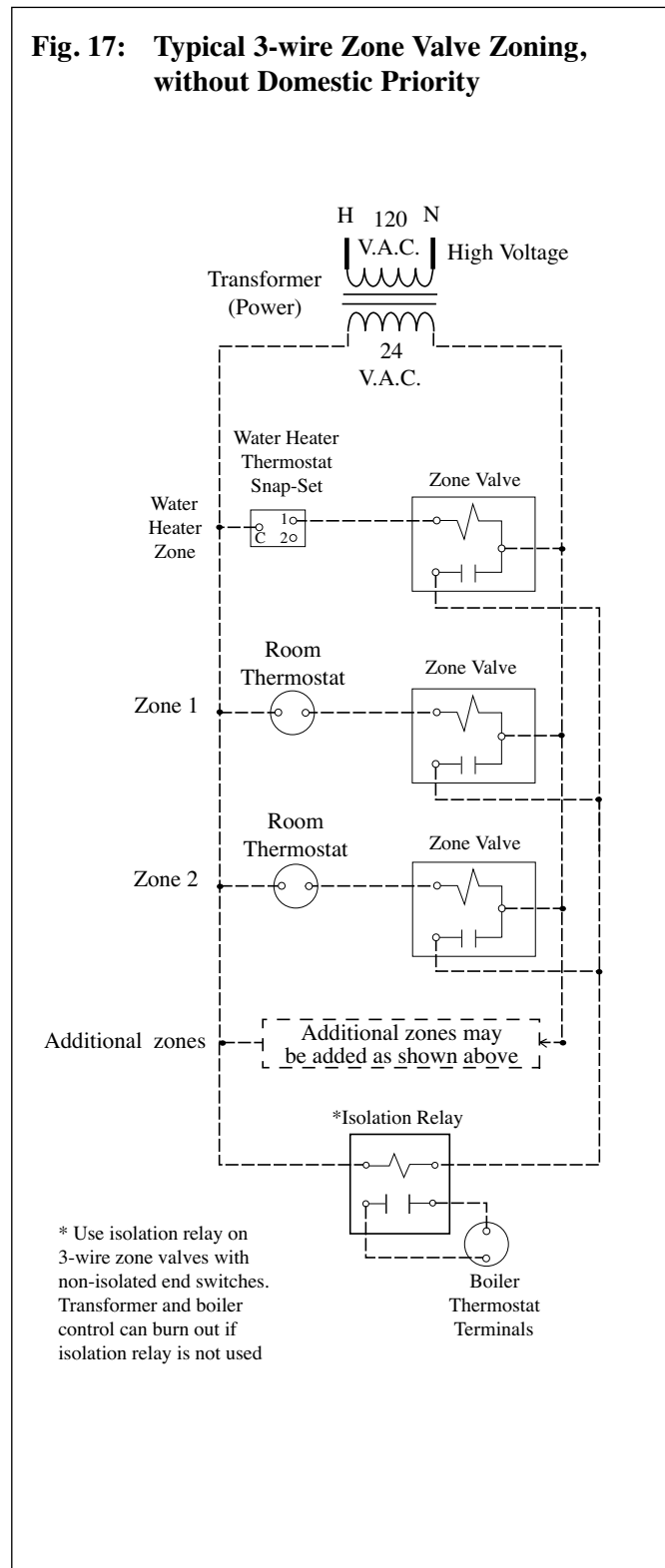


Fig. 17: Typical 3-wire Zone Valve Zoning, without Domestic Priority



Installation - Wiring

Fig. 18: Typical Circulator Zoning with Domestic Priority

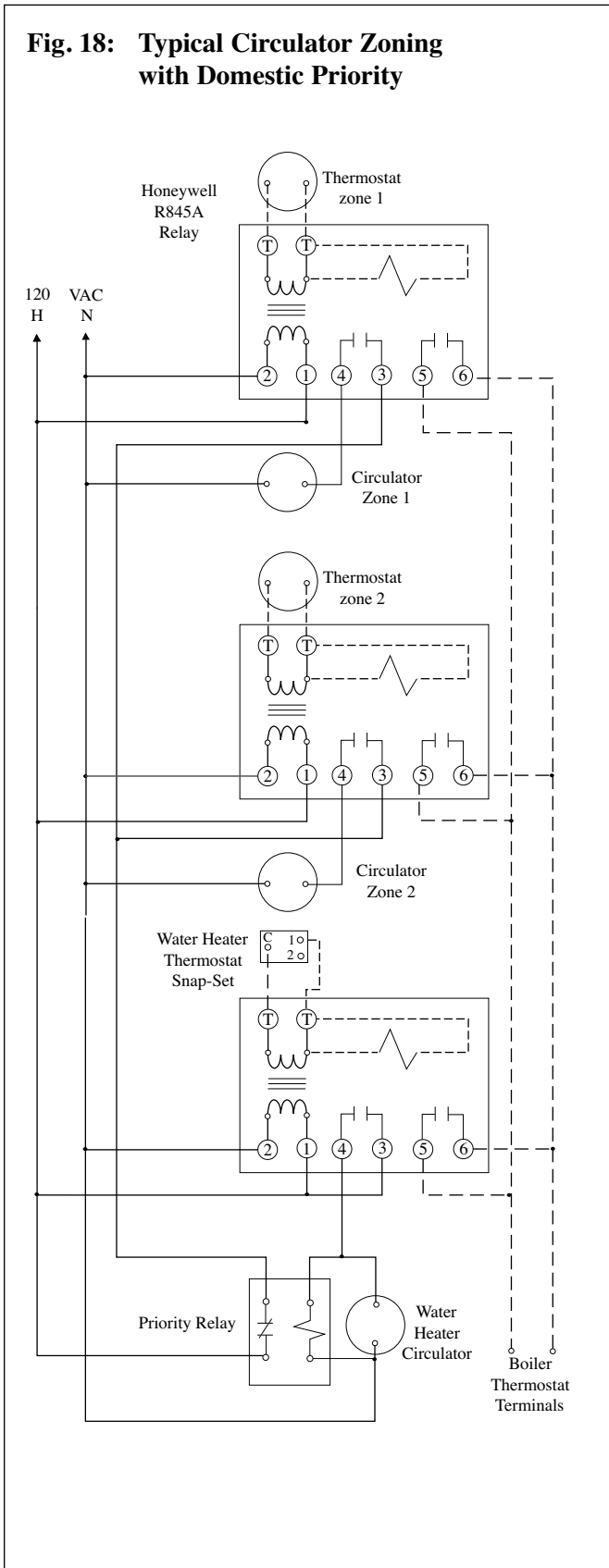
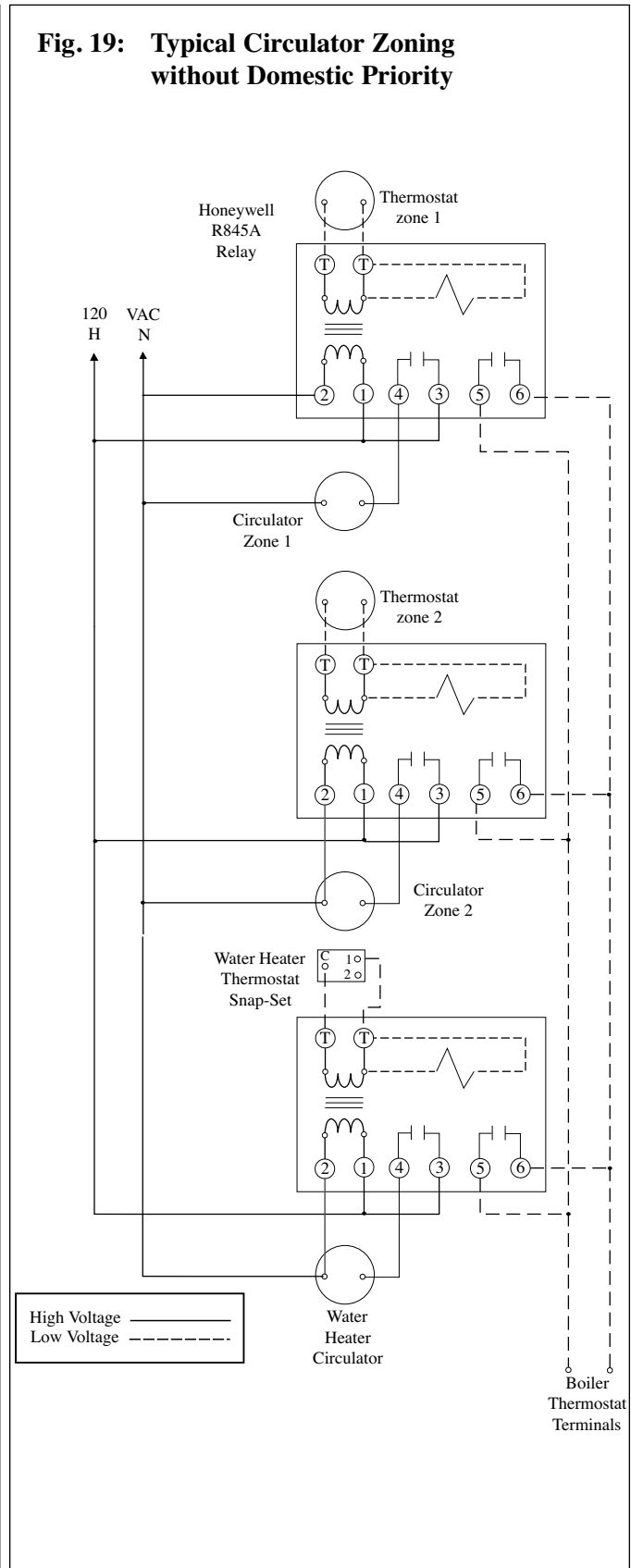


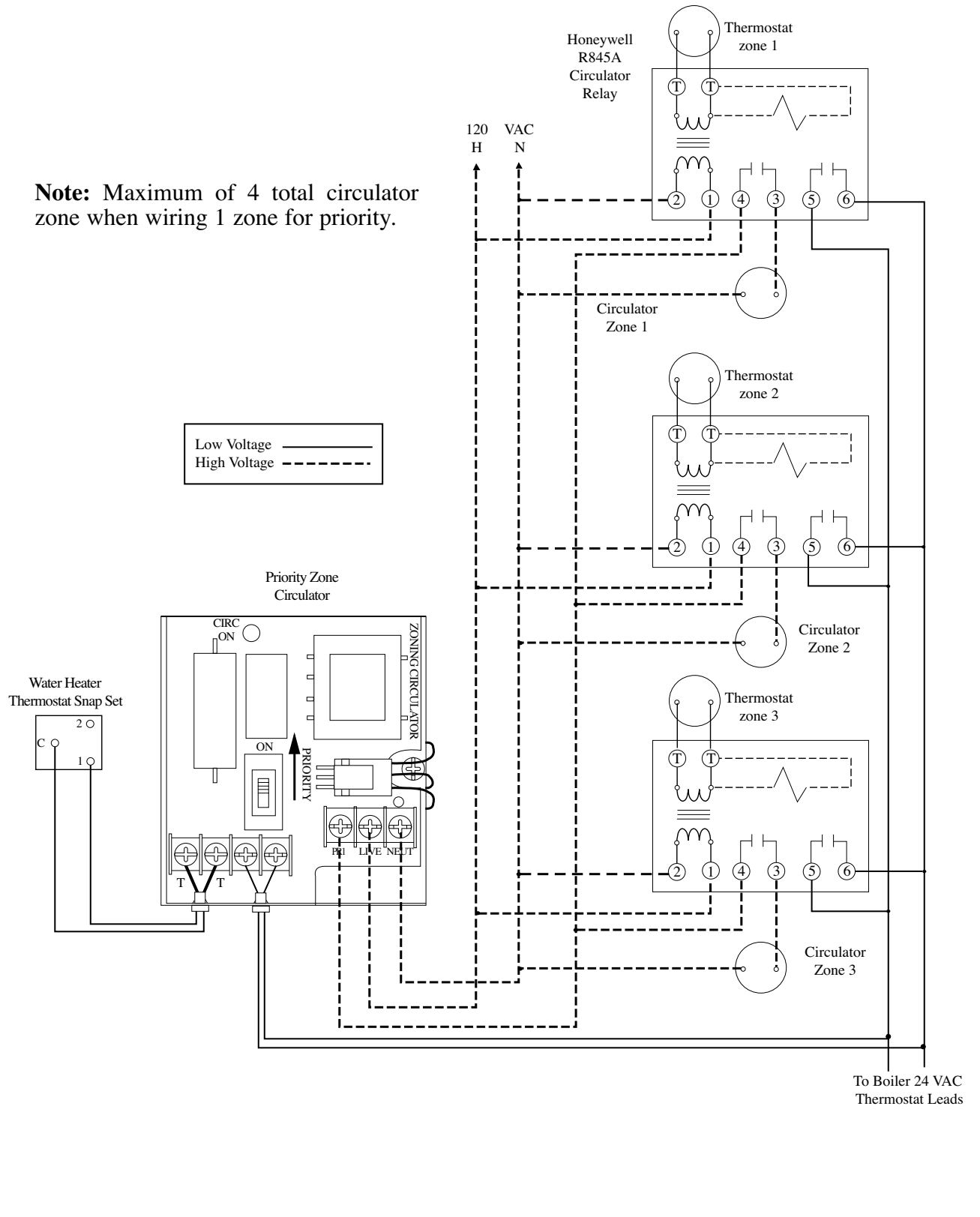
Fig. 19: Typical Circulator Zoning without Domestic Priority



Installation - Wiring

Fig. 20: Priority Zone Circulator Wiring

Note: Maximum of 4 total circulator zone when wiring 1 zone for priority.



Water Heater Start-Up

Filling the Inner (Domestic Water) Tank

CAUTION

- **Never use water heater unless inner and outer tanks are completely filled with water.**
- **Inner tank must be completely filled and pressurized before pressurizing outer tank.**

1. Close domestic water drain valve.
2. Open domestic water isolation valves for water heater.
3. Vent air from inner (domestic water) tank by opening nearest hot water faucet. Fill domestic water tank completely by allowing water to run until there is a constant flow of water.
4. Close hot water faucet.

Filling the Outer (Boiler Water) Tank

CAUTION

- **Never use water heater unless inner and outer tanks are completely filled with water.**
- **Inner tank must be completely filled and pressurized before pressurizing outer tank.**

1. Close boiler water drain valve at boiler water outlet of water heater.
2. Open water heater's boiler water isolation valves.
3. Allow air to escape from outer (boiler water) tank by opening manual air vent, located on top of water heater.
4. Follow instructions furnished with boiler to fill with water.

5. When tank is full, and air stops escaping, close the manual air vent.
6. If antifreeze is used in boiler water, check concentration. Boiler water (including additives) must be practically non-toxic, having toxicity rating or class of 1, as listed in Clinical Toxicology of Commercial Products.

WARNING

Do not use automotive, ethylene glycol or petroleum-based antifreeze. Do not use any undiluted antifreeze. This can cause severe personal injury, death or substantial property damage.

Water Heater Start-Up

⚠ DANGER

HOT WATER CAN SCALD!

- **Water temperatures over 125°F can cause severe burns instantly, or death from scalds.**
- **Feel water before bathing or showering.**
- **Consumer Product Safety Commission and some states recommend temperatures settings of 130°F or less. Setting thermostat higher than 130°F will increase risk of scald injury and cause severe personal injury or death.**
- **Water heated to a temperature suitable for clothes washing, dish washing and other sanitizing needs will scald and cause permanent injury.**
- **Children and elderly, infirm, or physically handicapped persons are more likely to be injured by hot water. Never leave them unattended in or near a bathtub. If anyone using hot water in the building fits this description, or if state laws or local codes require certain water temperatures at hot water faucets, take special precautions.**
 - **Install an automatic mixing valve at water heater or at each hot water faucet, bath and shower outlet. Selection and installation must comply with valve manufacturer's recommendation and instructions.**
 - **Use the lowest practical temperature setting.**
 - **Check water temperature after any adjustment. You must follow "Adjusting the Water Heater Thermostat" procedures.**

General Notes

- Household water usage patterns will affect water temperature at any faucet or shower. Occasionally check temperature at each point of use, then adjust thermostat accordingly. Always recheck temperature after adjusting thermostat.
- When hot water is used in repeated small quantities, a "stacking" effect can develop in the water heater. The upper layer of water in tank can be hotter than lower layer.
- Lowering the thermostat setting or installing automatic mixing valves as indicated in these instructions will reduce water temperature levels. Consult your installer or service technician.

⚠ WARNING

At no time should boiler limit control be set above 210°F. This can cause severe personal injury, death or substantial property damage if ignored.






Water Heater Start-up

Adjusting the Water Heater Thermostat

Water heater thermostat is factory set to its lowest temperature. This may or may not be suitable for your needs.

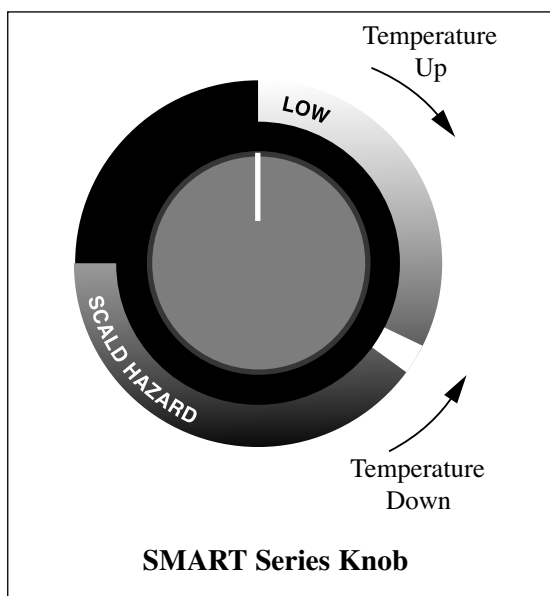
Turn thermostat knob **clockwise**  to **increase** water temperature.

Turn thermostat knob **counter-clockwise**  to **decrease** water temperature.

- Check water temperature at a hot water faucet immediately after first heating cycle. Further temperature adjustment may be necessary as water heating system is used. Recheck water temperature at faucet after adjustment.
- When adjusting thermostat, be sure boiler limit control is set a minimum of 20°F higher.

WARNING

Studies have indicated that dangerous bacteria, including legionella, pneumophila, can form in the potable water distribution system if certain minimum water temperatures are not maintained. Contact your local health department for more information.



Water Heater Maintenance

Maintenance Schedule

Annual service by qualified service technician should include the following:

- Any procedure required by local codes.
- Check air vent operation.
- Verify system pressure. Manual air venting procedure may require adding water to bring system up to pressure, typically 12 psig.
- Manually operate T&P relief valve at least once a year. This will release some hot water.

WARNING

Before operating T&P relief valve, make sure no one is in front of or around T&P relief valve discharge piping. Hot discharge water can cause severe personal injury or substantial property damage.

- Move operating lever to open position for a few seconds and then move it back, allowing it to snap closed. After T&P relief valve is operated, if it continues to release water, close cold water inlet to water heater immediately. Follow draining instructions, to relieve pressure from the inner tank and replace T&P relief valve. If T&P relief valve weeps periodically, it may be due to thermal expansion see Thermal Expansion, page 5. Do not plug T&P relief valve or discharge piping.

DANGER

Plugging T&P relief valve or discharge piping can cause excessive pressure in water heater, resulting in severe personal injury, death, or substantial property damage.

- Follow instructions on circulator to oil it, if required.
- Check mixing valve, valves, pipes and fittings for leaks.
- Check function of field-installed controls and valves. See component manufacturer's instructions.

- Review homeowner's maintenance responsibilities and their frequencies, including any not listed in the following section.

Homeowner monthly maintenance to include:

- Check for air.
 - Manual air vent-open and close briefly to release any air.
 - Visually check valves, pipes and fittings for leaks. Call qualified service technician to repair any leaks.

Filling Water Heater

See "Filling the Inner (Domestic Water) Tank and "Filling the Outer (Boiler Water) Tank" on page 20.

Draining Water Heater

Drain water heater if it will be shut off and exposed to freezing temperatures. Freezing water will expand and damage water heater.

- If boiler water contains sufficient antifreeze, then only the domestic water needs to be drained.

WARNING

Close boiler water isolation valves and relieve system pressure to below 15 psig in outer tank before draining inner tank to prevent damage to inner tank.

- If boiler water does not contain sufficient antifreeze, then the boiler water and domestic water must be drained.

If antifreeze is used in boiler water, check concentration. Boiler water (including additives) must be practically non-toxic, having toxicity rating or class of 1, as listed in Clinical Toxicology of Commercial Products. A maximum 50/50 mixture of inhibited propylene glycol is recommended. Follow antifreeze manufacturer's instruction.

Water Heater Maintenance

WARNING

Do not use automotive, ethylene glycol or petroleum-based antifreeze. Do not use any undiluted antifreeze. This can cause severe personal injury, death or substantial property damage.

WARNING

Water from opened drain valves, unions and other connections may be extremely hot. To avoid severe personal injury, death or substantial property damage:

- Tighten all drain hose connections.
- Direct hot water away from all persons.

Draining Inner (Domestic Water) Tank

BEST PRACTICE

There are 3 methods typically used in the draining of the inner tank. The first method outlined as Option 1 is to siphon the water out. This method is typically the easiest to perform, but may be lengthy in time to complete. The second method, shown as Option 2, uses compressed air. This method is more complicated however it is generally quicker in draining the tank. The final method, Option 3, use a pump to drain the tank. As with Option 2, Option 3 is generally more complicated, but is quicker in draining the tank.

NOTICE

Prior to draining the inner tank, ensure the following is completed:

1. The snap-set wiring connection at the water heater is disconnected.
2. The DHW system supply isolation valve is closed.
3. The outer (boiler water) tank pressure is less than 15 psig.

Reference domestic piping diagrams Figs. 1, 2 and 3 on page 8 and 9.

Draining Inner Tank - Option 1

1. Connect a hose to the domestic water drain valve at the cold water inlet. The hose should extend to a drain at floor level to allow siphoning of the domestic inner tank.
2. Open a hot water faucet at the highest point above the water heater.
3. Open the domestic water drain valve to start the siphoning of the domestic inner tank.
4. When draining is complete, close the hot water faucet and the domestic drain valve.

Draining Inner Tank - Option 2

1. Connect a hose to the domestic water drain valve at the cold water inlet. Direct the hose to a proper drain/suitable place for drainage.
2. Close the isolation valve on the DHW system hot outlet of the water heater.
3. On the hot water outlet piping between the water heater and the isolation valve install a shradder (air tank) valve or some other fitting or means that allows connection of an air hose from a compressor.
4. Open the domestic water drain valve on the cold water inlet.

Water Heater Maintenance

5. Apply compressed air at a maximum regulated pressure of 40 psig.
6. When draining is complete, remove the air hose and fittings needed to connect the air hose.
7. Close the domestic water drain valve on the cold water inlet and open the isolation valve on the hot water outlet.

Draining Inner Tank - Option 3

1. Connect the suction side of the pump to the domestic water drain valve using a hose and/or piping fittings.
2. Connect a hose to the discharge side of the pump. Direct the hose to a proper drain or a suitable place for drainage.
3. Open a hot water faucet at the highest point above the water heater.
4. Open the domestic water drain valve and start the pump to begin draining the inner tank.
5. When draining is complete stop the pump, close the hot water faucet and close the domestic drain valve. Remove the pump and all hoses and fittings.

Draining Outer (Boiler Water) Tank

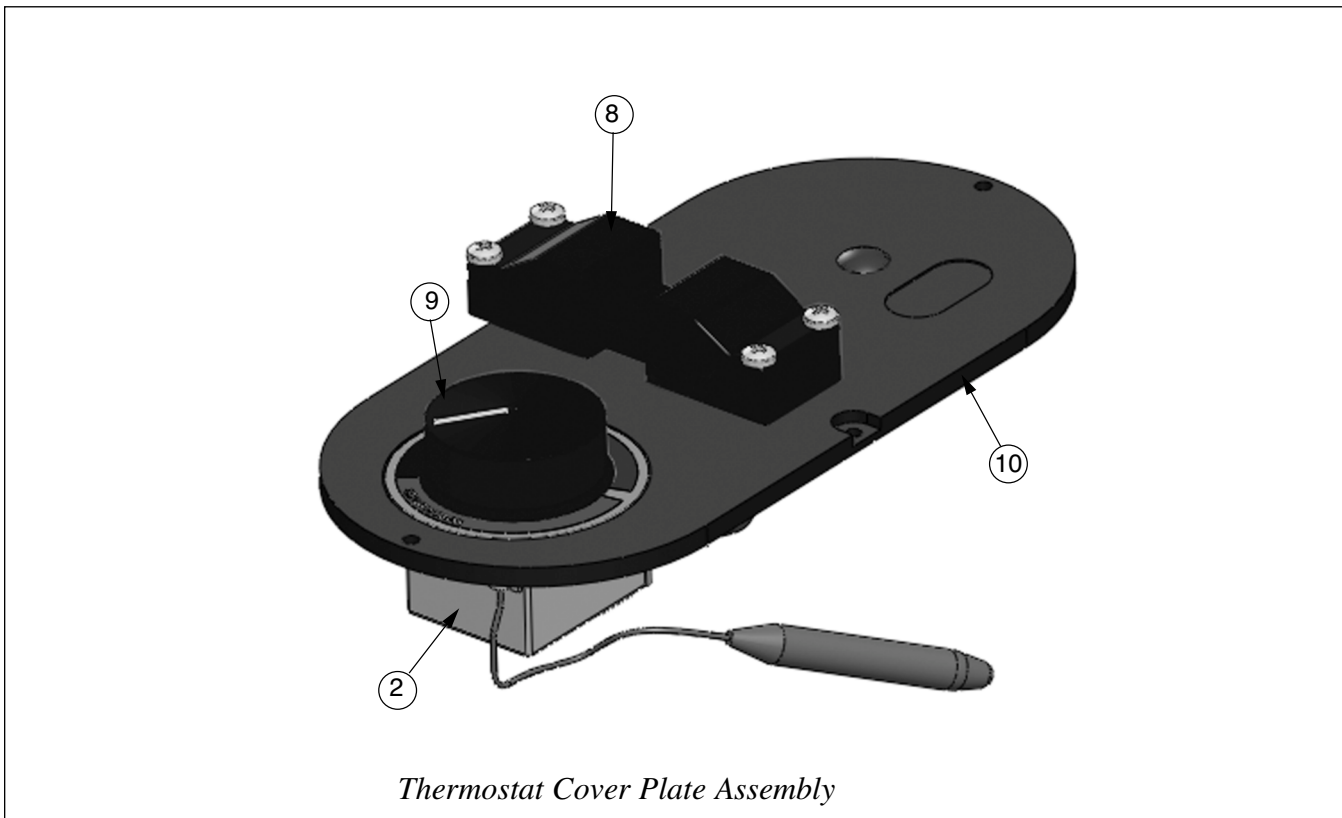
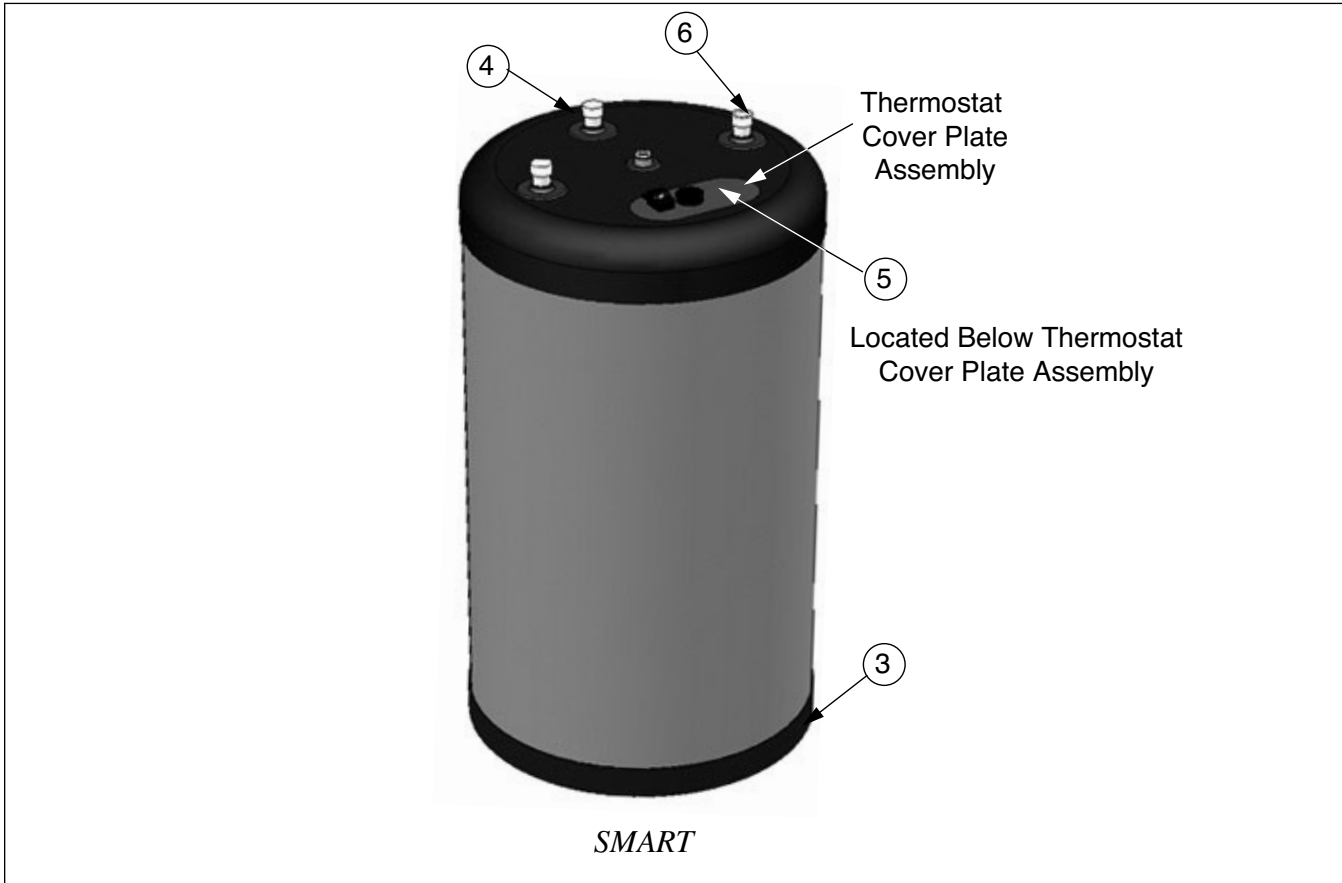
1. Disconnect snap set wiring connection at water heater.
2. Close boiler water isolation valves between boiler and water heater.
3. Connect hose to boiler water drain valve at water heater. Open and drain water to a safe place.
4. To speed draining procedure, open manual air vent on top of tank.
5. When draining is complete, close drain valve and close manual air vent.

Replacement Parts

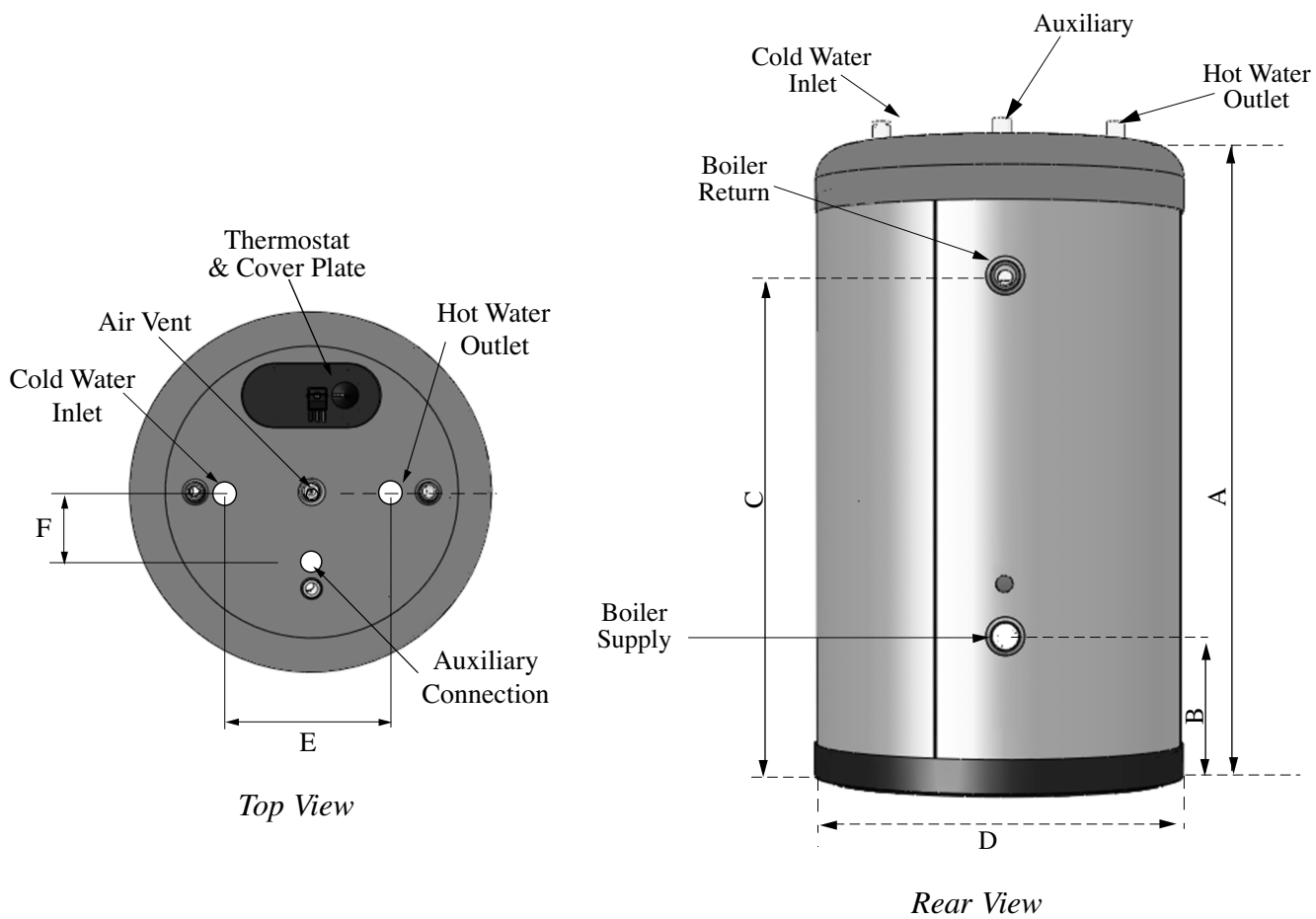
SMART Series

Item	Part #	Models	Description
1	P3KITAV02	All	Air vent, manual
2	P3KITTH01	All	Aquastat - 160°F residential
	P3KITTH03	All	Aquastat - 194°F commercial
3	P3KITBTM02	SMART 30, 40, 50 60	Bottom cap
	P3KITBTM03	SMART 80, 100	
	P3KITBTM04	SMART 120	
4	P3KITTOP02	SMART 30, 40, 50 60	Top cap
	P3KITTOP03	SMART 80, 100	
	P3KITTOP04	SMART 120	
5	P3DW05	SMART 30	Drywell
	P3DW01	SMART 40	
	P3DW02	SMART 50	
	P3DW03	SMART 60	
		SMART 80	
	P3DW04	SMART 100	
SMART 120			
6	P3WKITDT01	SMART 30	Dip tube
	P3WKITDT02	SMART 40	
	P3WKITDT03	SMART 50	
	P3WKITDT04	SMART 60	
	P3WKITDT08	SMART 80	
		SMART 100	
P3WKITDT09	SMART 120		
7 (Not shown)	P3WKITDT01	SMART 30	Dip Tube - recirculation (optional)
	P3WKITDT02	SMART 40	
	P3WKITDT02	SMART 50	
	P3WKITDT01	SMART 60	
	P3WKITDT08 (cut to length)	SMART 80	
		SMART 100	
SMART 120			
8	P3KITWRS01	All	Snap-set wire harness
9	P3KNB02	All	Knob
10	P3CVR04	All	Cover plate

Replacement Parts



Water Heater Specifications



Model		Smart 30	Smart 40	Smart 50	Smart 60	Smart 80	Smart 100	Smart 120
Capacity	Gal.							
Domestic		28	36	46	56	70	95	119
Boiler		5	6	8	8	14	25	43
Heating surface	Sq. Ft.	13	16	20	24	28	36	42
Head loss boiler side	Ft.	3/4	1	1 1/4	1 1/2	2	2	2 1/2
Piping connections	Inches							
Domestic	ø	3/4	3/4	3/4	3/4	1 1/2	1 1/2	1 1/2
Boiler	ø	1	1	1 1/4	1 1/4	1 1/2	1 1/2	2
Auxiliary	ø	3/4	3/4	3/4	3/4	1 1/2	1 1/2	1 1/2
Dimensions	Inches							
Diameter								
A		38	46	57	66	61	78	72
B		9	9	9	9	10	10	10
C		30	38	49	58	50 1/2	68	64
D		22	22	22	22	26	26	32
E		14	14	14	14	10 1/2	10 1/2	10 1/2
F		6	6	6	6	10 1/2	10 1/2	5
Drywell length	Inches	25	29	37	47	47	51	51
Empty weight	Lbs.	115	135	165	190	271	362	479

Performances

MODEL	Boiler Heating Capacity MBH	Peak Flow gal./ 10 min.	1st Hour Flow Gal./Hour	Continuous Flow Gal./ Hour	Circulator Min. GPM
SMART 30	87	40	140	115	5
SMART 40	112	50	180	150	7
SMART 50	140	65	220	185	8
SMART 60	270	100	410	360	16
SMART 80	300	125	460	400	18
SMART 100	337	150	525	450	25
SMART 120	420	190	650	560	28

Conditions: - 50°F Domestic cold water inlet temperature
 - 140°F Domestic hot water outlet temperature
 - 200°F Boiler water supply temperature

MODEL	Boiler Heating Capacity MBH	Peak Flow gal./ 10 min.	1st Hour Flow Gal./Hour	Continuous Flow Gal./ Hour	Circulator Min. GPM
SMART 30	115	60	235	210	8
SMART 40	130	70	270	240	9
SMART 50	180	95	370	330	12
SMART 60	320	145	635	590	21
SMART 80	340	165	690	630	24
SMART 100	380	185	775	700	26
SMART 120	445	235	915	820	30

Conditions: - 50°F Domestic cold water inlet temperature
 - 115°F Domestic hot water outlet temperature
 - 200°F Boiler water supply temperature



Additional quality water heating equipment available from: **Triangle Tube-ACV**

Prestige Condensing Wall Mounted Boiler



- 95% AFUE - Energy Star
- Fully modulating
- Natural gas or propane
- Stainless Steel Construction
- Direct vent PVC, CPVC, PP and SS
- Outdoor Reset
- Low NOx

Challenger Solo



- Up to 94% AFUE
- Fully modulating
- Natural gas or propane
- Combination copper water tube/aluminum block heat exchanger
- Direct vent, PVC, CPVC, PP and SS
- Outdoor reset
- Low NOx

MAXI-FLO AND SPA HEAT EXCHANGERS



- Construction of high quality corrosion resistant stainless steel (AISI 316) or titanium
- Specially designed built-in flow restrictor to assure maximum heat exchange
- Compact and light weight
- Available in 5 sizes that can accommodate any size pool or spa



Triangle Tube - 1 Triangle Lane - Blackwood, NJ 08012 - (856) 228 8881 Fax (856) 228 3584
www.triangletube.com / sales@triangletube.com.

